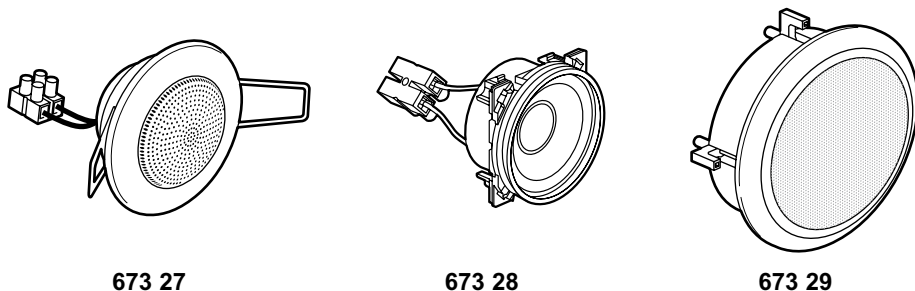


Céliane™
Sound distribution - Loudspeakers

Cat. Nos: 673 27/28/29/30



CONTENTS

Page

1. Use	1
2. Range	1
3. Overall dimensions	1
4. Fitting	2
5. Connection	2
6. Technical data	3
7. Cleaning	3
8. Conformity - Approvals	3

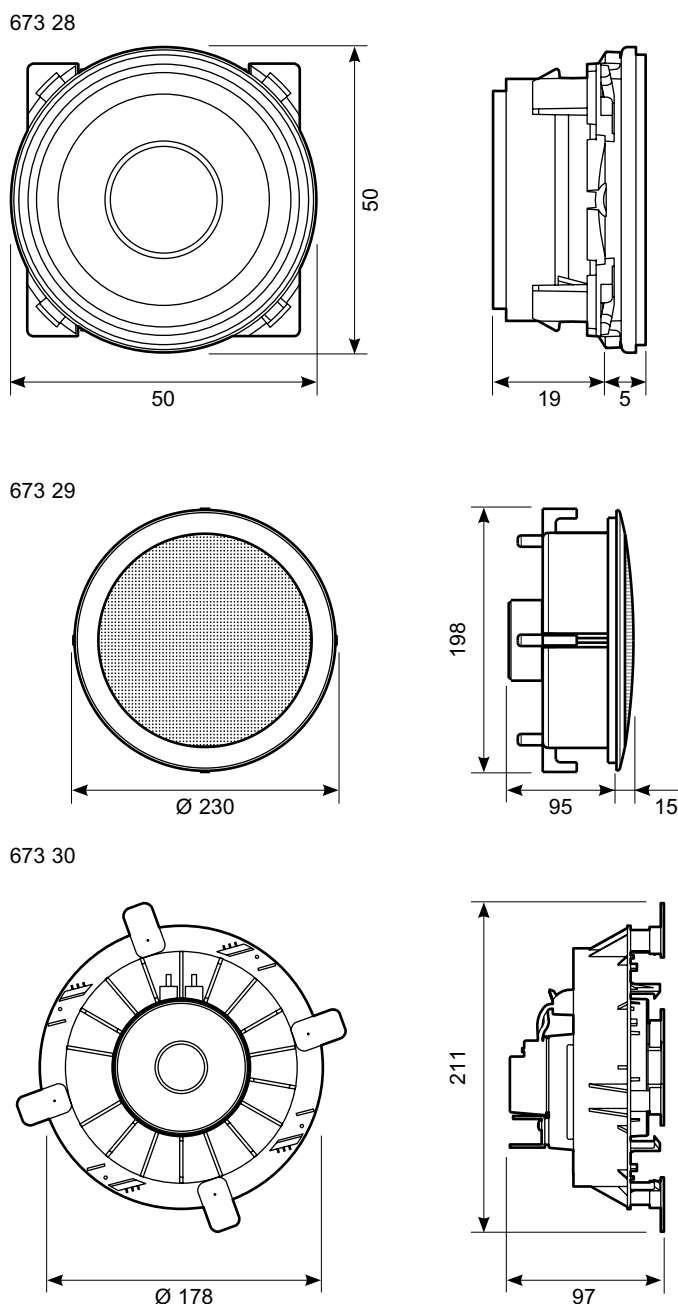
1. USE

These loudspeakers link to the 1-zone or multizone sound distribution offer.

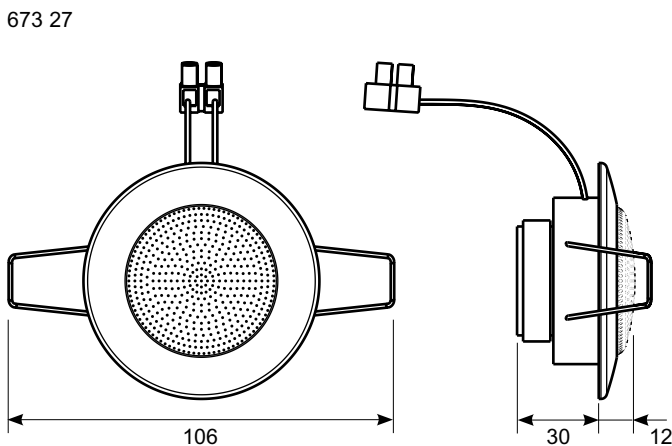
2. RANGE

Designation	Cat. No	Fixing	Technical data	Weight (g)
2" loudspeaker (Ø 80 mm) spot type	673 27	Strips, stainless steel springs	White Power: 2 W Impedance: 16 ohms	181
Wall-mounting 2" loudspeaker (Ø 50 mm)	673 28	Fits into flush-mounting boxes with depth 40 mm	Power: 2 W Impedance: 16 ohms	94
6.5" loudspeaker (Ø 230 mm)	673 29	"L"-shaped plastic lugs	White Power 100 W Impedance: 8 ohms	1250
Hidden loudspeaker (Ø 98 mm)	673 30	Adhesive Lugs Partition (supplied with fixing accessories)	Power: 8 W Impedance: 8 ohms	2740

3. OVERALL DIMENSIONS (cont'd)



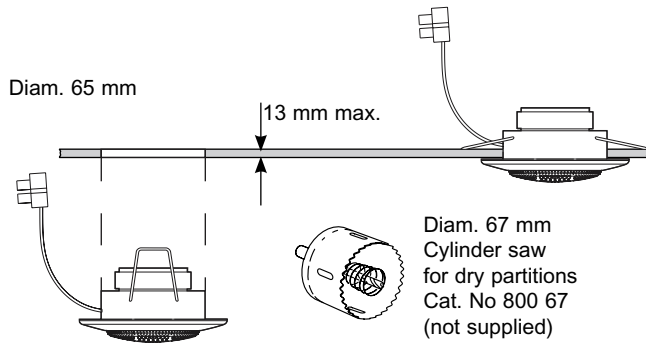
3. OVERALL DIMENSIONS



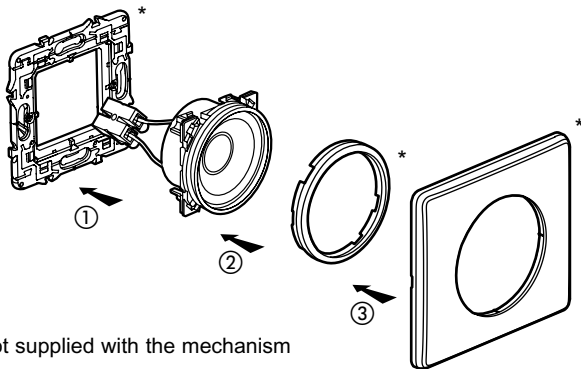
Sound distribution - Loudspeakers

4. FITTING

Cat. No 673 27



Cat. No 673 28

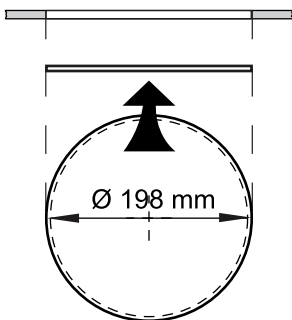


- 1 - The mechanism is clipped to the support frame.
- 2 - The cover plate is clipped to the assembly.
- 3 - The frame plate is clipped to the support frame.

Finishes:

Can be fitted with the full range of Céliane finishings.
Vertical and horizontal multi-gang mounting.
Can be fitted with the full range of Céliane frame plates.

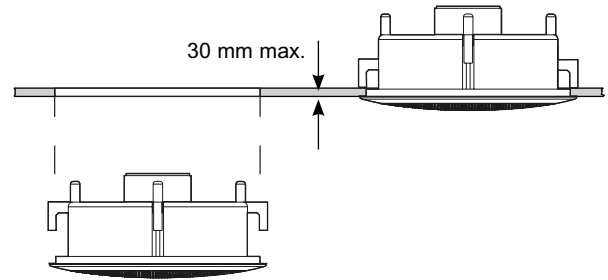
Cat. No 673 29



Use the supplied drilling template to mark out the opening required to house the loudspeaker.

4. FITTING (cont'd)

Cat. No 673 29 (cont'd)



When fitting loudspeaker 673 29, it is important not to push on the loudspeaker membrane, as this pressure could cause irreparable damage to the membrane.

The device must be screwed in by hand to ensure perfect and controlled flush-mounting of the loudspeaker.

Cat. No 673 30

- Mounting in false ceiling:

Accessories are supplied with the product.

- Mounting behind a vertical partition:

do not mount 2 loudspeakers on the same partition due to the vibrations.

5. CONNECTION

	673 27 Loudspeaker Ø 80 mm Spot type	673 28 Wall- mounting loudspeaker Ø 50 mm	673 29 loudspeaker Ø 230 mm	673 30 Hidden loudspeaker
Type of screwdriver	Flat-blade 3 mm	Flat-blade 3 mm	/	Flat-blade 2 mm
Type of terminal	Screw	Screw	Tunnel	Screw
Loudspeaker wires - cross-section (mm²):	Min.: 0.25 Max.: 1	Min.: 0.25 Max.: 1.5	Min.: 0.25 Max.: 1.5	Min.: 0.25 Max.: 1.5
Power (RMS/Peak)	2 W	2 W	50 W / 100 W	8 W

Make sure you are complying with local building codes before installing these loudspeakers.

Try to use identical wire lengths when wiring the right and left-hand loudspeakers.

Sound distribution - Loudspeakers

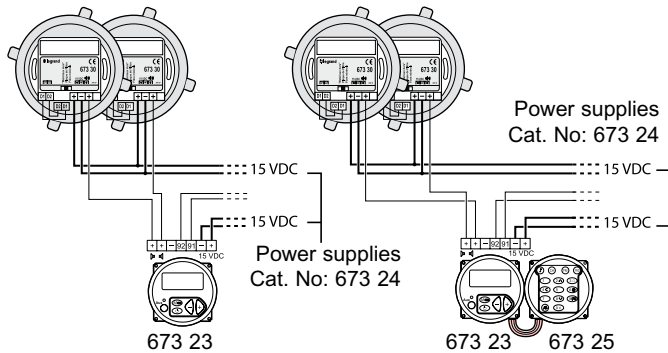
5. CONNECTION (cont'd)

Loudspeakers must be wired in an identical manner to ensure they are "in phase". If one of the loudspeakers has inverse wiring with respect to the wiring of the other loudspeaker, the loudspeakers will be "out-of-phase" with respect to one another. If loudspeakers are "out-of-phase", the sound may appear to be tinny with a significant loss of bass.

Make sure that each installed pair of loudspeakers is connected correctly.

- Max. distance of 25 m between the local control unit and the loudspeaker using a 1-mm² wire.

Cat. No 673 30



6. TECHNICAL DATA

6.1 Mechanical characteristics

- Impact tests: Ik 04
- Penetration by solid/liquid bodies: IP 20

6.2 Material characteristics

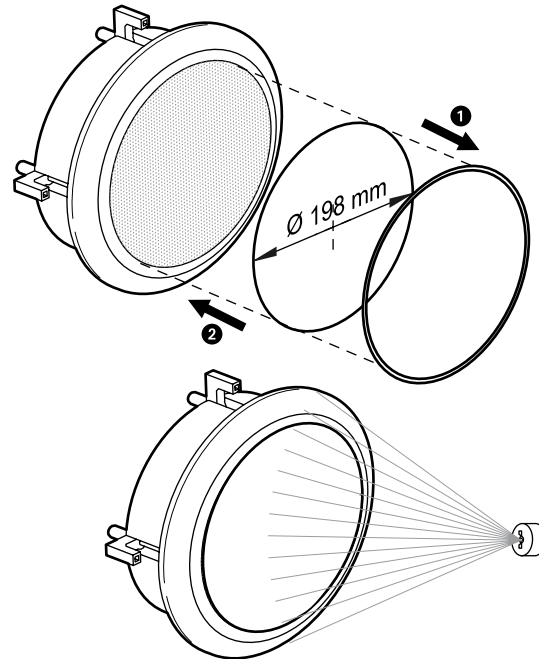
Paint must not be applied to Cat. No 673 27..

	673 27 Loudspeaker Ø 80 mm Spot type	673 28 Wall-mounting loudspeaker Ø 50 mm	673 29 Loudspeaker Ø 230 mm	673 30 Hidden loudspeaker
Support	/		/	
Base	/		/	
Cover	/		/	
Collar and grille	Zamak RAL 9003		Cover plate: White ABS Grille: Aluminium (white paint)	
Woofers	/		Mica Fiber	
Tweeter	/		1" PEI Mylar	

Markings	673 27 Loudspeaker Ø 80 mm Spot type	673 28 Wall-mounting loudspeaker Ø 50 mm	673 29 Loudspeaker Ø 230 mm	673 30 Hidden loudspeaker
Support	/		/	
Base	Sticker		Sticker	

6. TECHNICAL DATA (cont'd)

For Cat; No 673 29 the collar can be painted using the drilling template.



Important:
Painting may block the loudspeaker grille holes.

6.3 Electrical characteristics

Self-extinguishing - Live parts: 850° C / 30 s, others 650° C / 30 s.

6.4 Climatic characteristics

Storage temperature: from - 25° C to + 70° C
Operating temperature: from - 5° C to + 45° C

7. CLEANING

Surface cleaning with a cloth.
Do not use acetone, tar remover or trichloroethylene.

Important:
A spot test should be carried out before using any specific cleaners.

8. CONFORMITY - APPROVALS

Compliant with standard 50090-2-2.