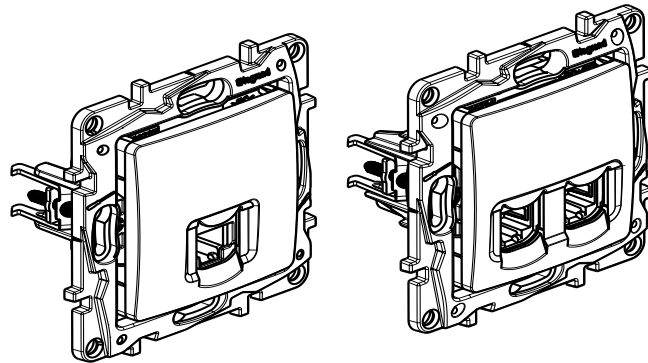


Niloe™
RJ socket

Catalogue numbers: 7 645 69/70/71 - 7 646 69/70/71



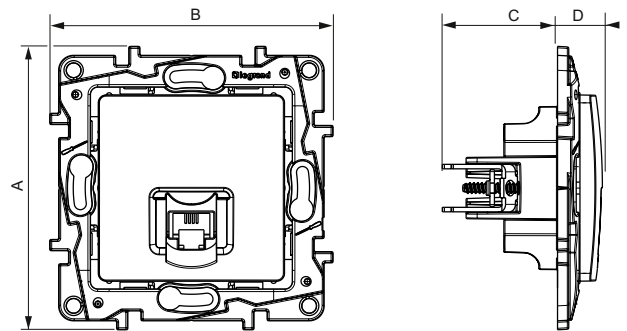
1. USE

RJ 45 sockets:
 - RJ 45 Cat. 5 - 8 UTP contacts: telephone, IT.
 - RJ 11 - 4 contacts: telephone
 Mechanisms to be fitted with finishing plates.
 Flush or surface-mounting.
 Claw or screw fixing.

2. RANGE

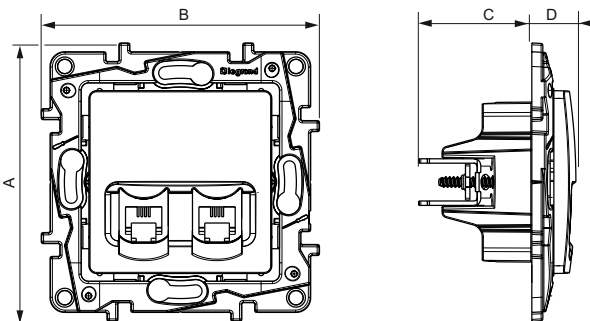
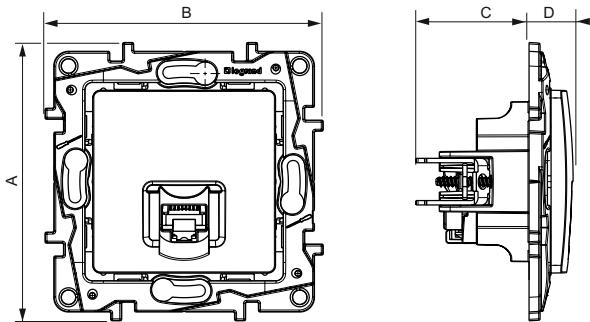
RJ11 SOCKETS		
Description	White	Ivory
RJ11 socket	7 645 69	7 646 69
RJ11 + RJ45 Cat 5e UTP socket	7 645 70	7 646 70
RJ45 SOCKETS		
Description	White	Ivory
RJ11 + RJ45 Cat 5e UTP socket	7 645 71	7 646 71

3. DIMENSIONS (mm)



Catalogue numbers		A	B	C	D
RJ 11	7 64X 69	75.8	75.8	30.8	12

3. DIMENSIONS (mm) (continued)



Catalogue numbers		A	B	C	D
RJ45 Cat 5e UTP	7 64X 71	75.8	75.8	30.8	12
RJ11 + RJ45 Cat 5e UTP	7 64X 70				

4. TECHNICAL CHARACTERISTICS

■ **4.1 Mechanical characteristics**

Protection against solid bodies and liquids: IP 20
Protection against impacts: IK 04

■ **4.2 Material characteristics**

Poly gloss appearance
Colour: White, Aluminium, Grey, Ivory
Material:

- Plate: ABS
- Socket cover plate: Polycarbonate
- Halogen-free
- UV resistant

Self-extinguishing:

- +850°C/30 sec for insulating parts holding live parts in place.
- + 650°C/30 sec for other parts made of insulating materials.

■ **4.3 Climate characteristics**

Storage and operating temperature: -5°C to +35°C

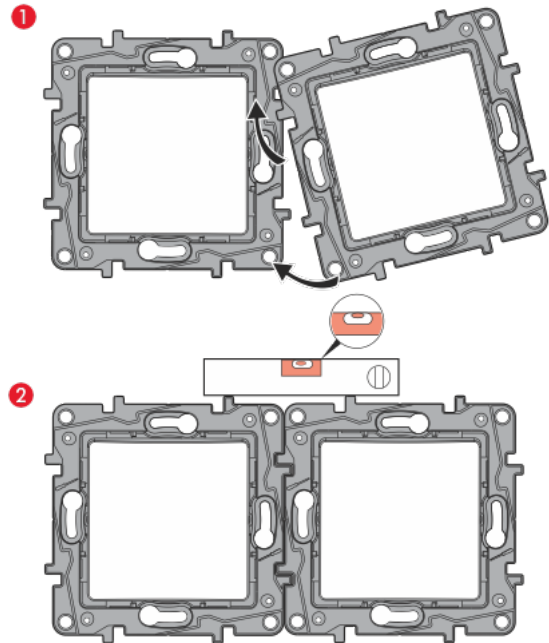
4. TECHNICAL CHARACTERISTICS (continued)

■ **4.4 Support characteristics**

Material: RAL 737 grey halogen-free polycarbonate
High impact resistance and torsional strength due to the thickness of the support.

Easy guidance for positioning the mechanisms.

Horizontal or vertical alignment without lifting up the mechanisms too much.



5. CARE

Clean the surface with a cloth.

Do not use: acetone, tar-removing cleaning agents or trichloroethylene.

Warning: Always test before using other special cleaning products.

6. STANDARDS AND APPROVALS

RJ45: Meets standards:	ISO 11801 Edition 2 CENELEC EN 50173-1 2007 ANSI/TIA 568 C.2 ISO/IEC series 60603-7
------------------------	--