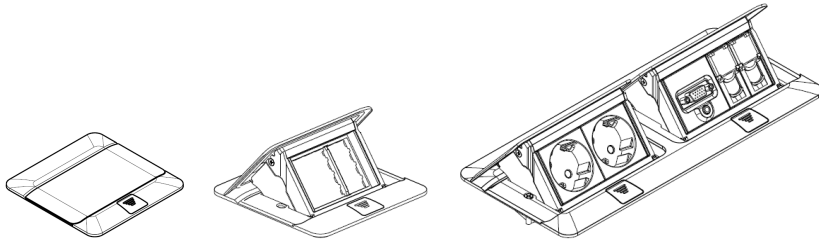


## Pop-Up

Number(s) : 0 540 00 to 03, 0 540 05 to 08, 0 540 10 to 13,  
 0 540 15 to 18, 0 540 20 to 23, 0 540 26, 0 540 28, 0 540 31,  
 0 540 33, 0 540 40 to 43



CONTENTS	PAGES
1. Range	1 to 3
2. Installation	4 to 8
3. Technical characteristics	9 to 11
4. Example to Use	12

### 1 RANGE.

- a solution for integrating wiring accessories in office furniture or in floor (5 finishes)
- products conform to NFC 61-314 / EN 60 670-1 / EN 60 670-23

Desk/table		Use the Kit for desk/table/raised floor 	- Power - Data Cat6 - AV
Raised floor			
Concrete		Use the backbox for concrete floor 	- Power

# Pop-Up

Number(s) : 0 540 00 to 03, 0 540 05 to 08, 0 540 10 to 13, 0 540 15 to 18, 0 540 20 to 23, 0 540 26, 0 540 28, 0 540 31, 0 540 33, 0 540 40 to 43

## 1 RANGE (continued)

Two types of Pop-up ;

Simple Pop-up :

3 modules :

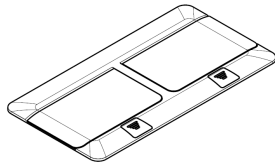


4 modules :

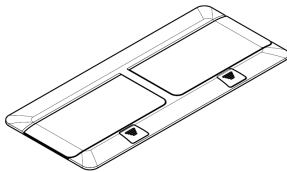


Double Pop-up :

6 modules :



8 modules :



Compatibility power/dat :

	Power	Data
Concrete	yes	No
Raised floor	yes	Compatible Cat 6
Furniture/desk	yes	Compatible Cat 6

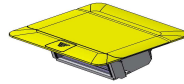
- pack by 1

Note : screw delivered with Pop-up.

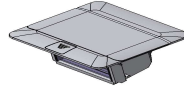
16A 250 V~, 3680W at 230 V~ per circuit

## 1 RANGE (continued)

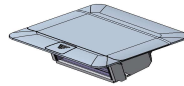
- 5 finishes available :



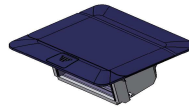
Brushed Brass



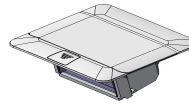
Matt Aluminium



Brushed Stainless steel



Matt Black



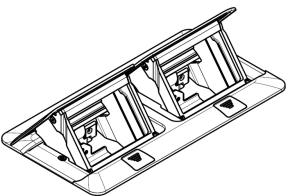
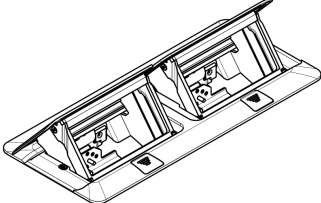


Glossy White

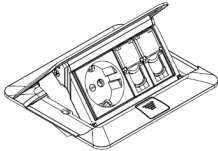
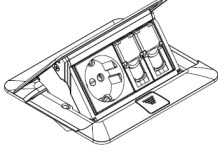
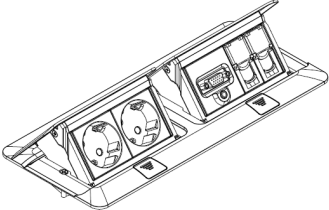
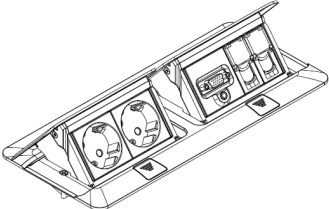
## 1 RANGE (continued)

Pop-up selection chart to be equipped:

- with Mosaic or Arteor wiring devices
- with 1 installation kit for raised floor/desk or with 1 backbox for concrete floor

Finishes	3 modules	4 modules	6 (2x3) modules	8 (2x4) modules
				
Brushed Brass	0 540 15	0 540 16	0 540 17	0 540 18
Matt Aluminium	0 540 10	0 540 11	0 540 12	0 540 13
Brushed Stainless steel	0 540 20	0 540 21	0 540 22	0 540 23
Matt Black		0 540 26		0 540 28
Glossy White		0 540 31		0 540 33

Equipped Pop-up selection chart (installation kit included)

Finishes	References	Pop-up
Glossy White 	0 540 44	4modules equipped with : 1 socket German standard 2P+E with 2m cord + 2 RJ 45 sockets Cat6 UTP with 3m cord
Brushed Stainless steel 	0 540 45	4modules equipped with : 1 socket German standard 2P+E with 2m cord + 2 RJ 45 sockets Cat6 UTP with 3m cord
Glossy White 	0 540 46	8 (2x4) modules equipped with : 2 sockets German standard 2P+E with 2m cord + 2 RJ 45 sockets Cat6 UTP with 3m cord + HD 15 jack
Brushed Stainless steel 	0 540 47	8 (2x4) modules equipped with : 2 sockets German standard 2P+E with 2m cord + 2 RJ 45 sockets Cat6 UTP with 3m cord + HD 15 jack

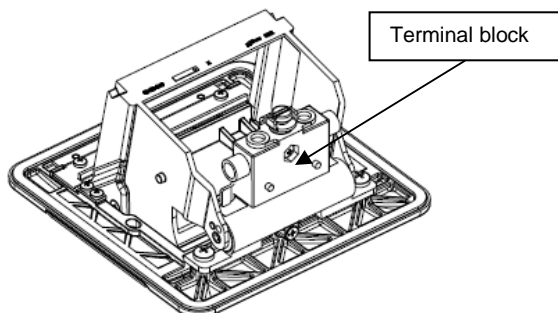
# Pop-Up

Number(s) : 0 540 00 to 03, 0 540 05 to 08, 0 540 10 to 13, 0 540 15 to 18, 0 540 20 to 23, 0 540 26, 0 540 28, 0 540 31, 0 540 33, 0 540 40 to 43

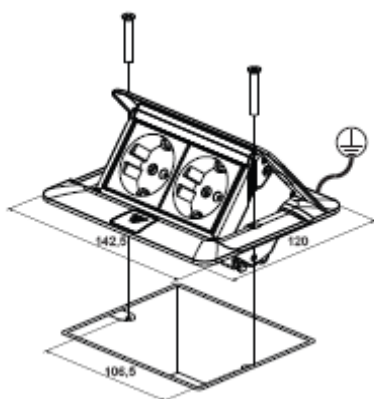
## 2 INSTALLATION

2.1 On concrete floor:

Pop-up is delivered with terminal block.

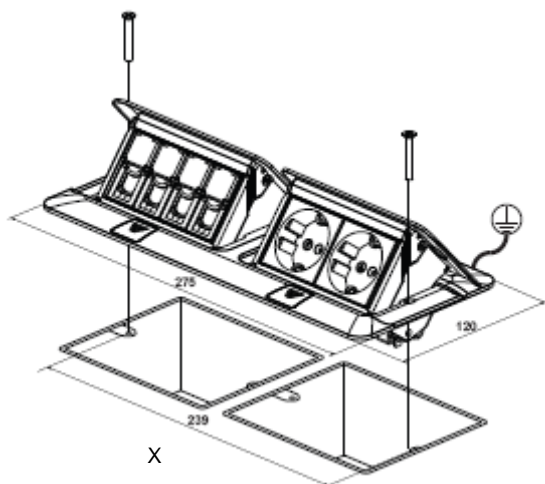


Example of simple Pop-up on concrete floor :



X

Example of double Pop-up on concrete floor :



X

Dimensions (fixing centres) :

	X(mm)
3 mod	84
4 mod	106.5
6 (2x3) mod	194
8 (2x4) mod	239

## 2 INSTALLATION (continued)

2.1 On concrete floor (continued)

Under concrete floor:

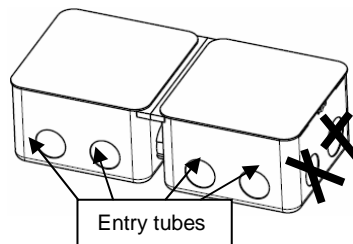
- minimum depth = 60mm

Use the backbox for concrete with conduits diameter 20mm

It is necessary to close the backbox for concrete using the protection cover delivered with before pouring the concrete in order to prevent that the concrete to enter in the backbox

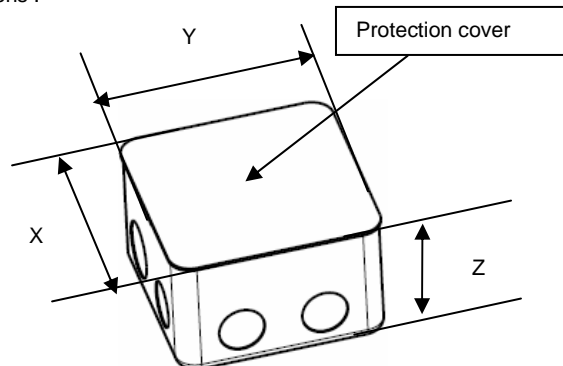
The backbox for concrete is delivered with protection cover:

Note: IMPORTANT! conduits diameter 20mm must enter the back box by the front or back side



Pop-up 3mod	Pop-up 4mod	Pop-up 6 (2x3) mod	Pop-up 8 (2x4) mod
réf 0 540 00	réf 0 540 01	réf 0 540 02	réf 0 540 03

Dimensions :



	X(mm)	Y(mm)	Z(mm)
3 mod	100	100	61.2
4 mod	100	122	61.2
6 (2x3) mod	100	210	61.2
8 (2x4) mod	100	255	61.2

Note: the old flush-mounting boxes ref 6503 90/91/92 for floor boxes sockets are compatible with new Pop-up

Catalogue Export 2009/20011 on page 778;

		Flush-mounting boxes for floor sockets
10	6503 90	3 modules - Plastic
10	6503 31	2 x 3 modules For floor box Cat.No 6503 49 - Plastic
1	6503 32	3 modules (can be assembled with another Cat.No 6053 32 to compose a 2 x 3 modules box) Metallic

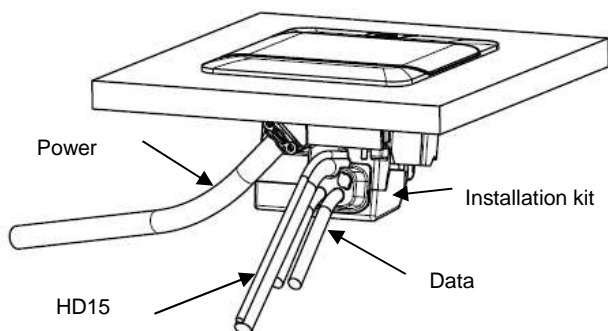
# Pop-Up

Number(s) : 0 540 00 to 03, 0 540 05 to 08, 0 540 10 to 13, 0 540 15 to 18, 0 540 20 to 23, 0 540 26, 0 540 28, 0 540 31, 0 540 33, 0 540 40 to 43

## 2 INSTALLATION (continued)

### 2.2 On the desk or on the raised floor

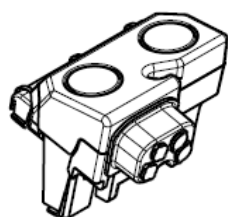
System overview.



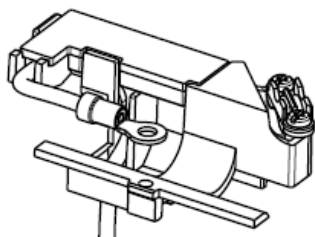
To fix on the raised floor/desk

References	Installation kit for Pop-up
0 540 05	Installation kit 3modules
0 540 06	Installation kit 4modules
0 540 07	Installation kit 6(2x3) modules
0 540 08	Installation kit 8 (2x4) modules

Composition :

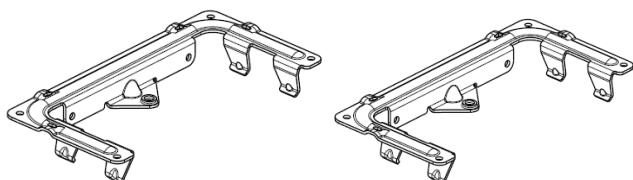


1 insulation unit



1 Clamp support

2 parts fixations supports

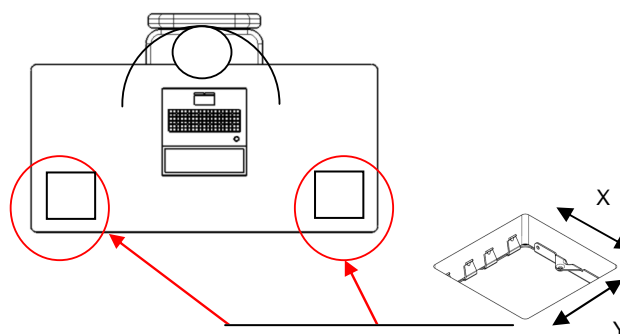


Fixations supports, allows to install the product directly on the raised floor/desk.

## 2 INSTALLATION (continued)

### 2.2 On the desk or on the raised floor (continued)

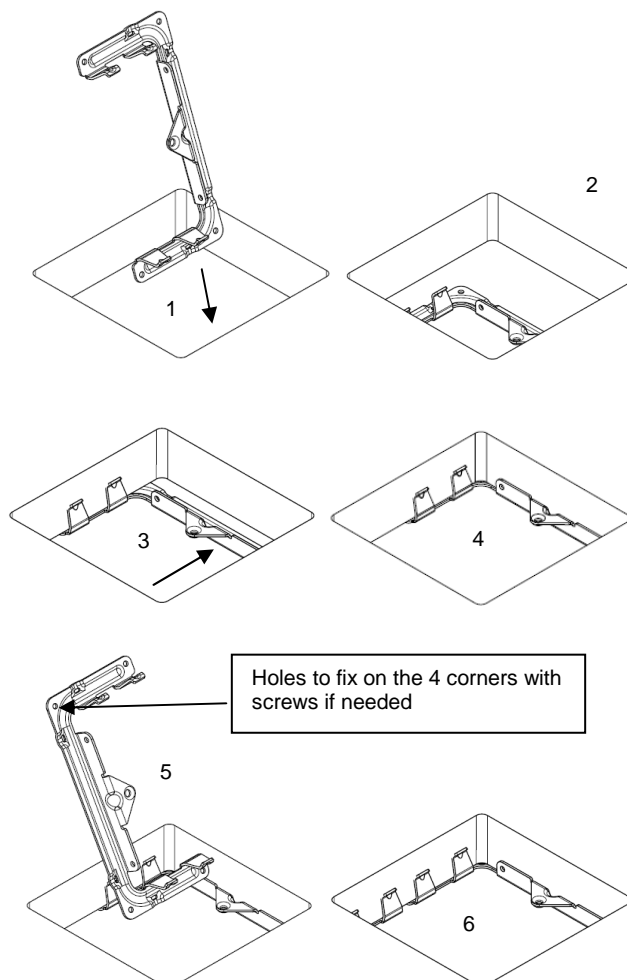
Cut the desk or raised floor :



	X(mm)	Y(mm)
3 mod	108 (+/-1mm)	108 (+/-1mm)
4 mod	108 (+/-1mm)	131 (+/-1mm)
6 mod	108 (+/-1mm)	218 (+/-1mm)
8 mod	108 (+/-1mm)	263 (+/-1mm)

Minimum depth of desk plate 15mm (40mm max)

Positioning of the fixation supports in the desk



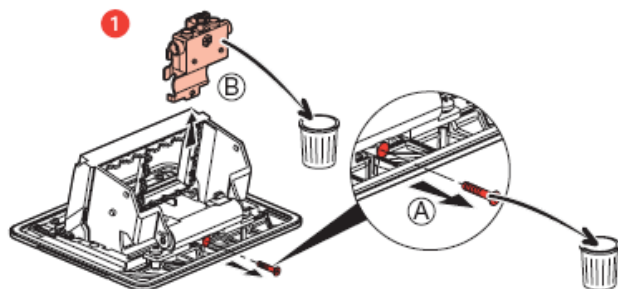
# Pop-Up

Number(s) : 0 540 00 to 03, 0 540 05 to 08, 0 540 10 to 13, 0 540 15 to 18, 0 540 20 to 23, 0 540 26, 0 540 28, 0 540 31, 0 540 33, 0 540 40 to 43

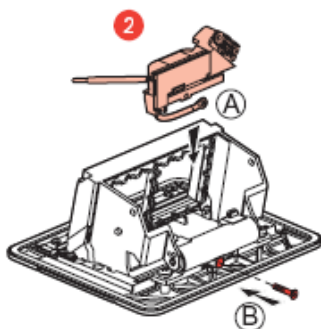
## 2 INSTALLATION (continued)

2.2 On the desk or on the raised floor (continued)

Before the installation of the kit, remove the terminal block delivered with the Pop-up (not to be used in this configuration)



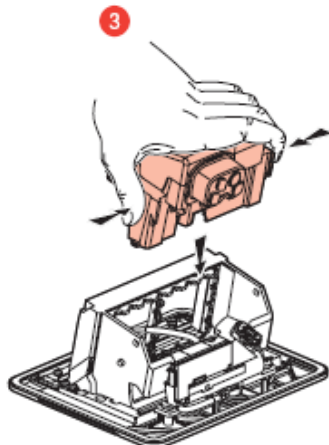
Please use the clamp support if you need power.



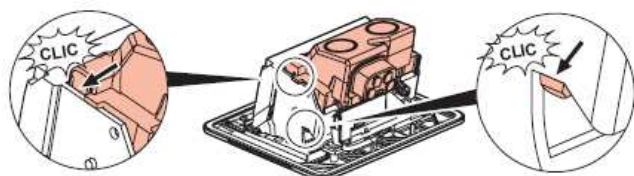
A : put the clamp support on the cylindrical dumper fix with the earthing screw  
B : earth on the metal part on the Pop-up

Support clamp is not necessary if you use only data socket

Installation of the insulation unit.



Position your fingers as represented above, press the kit and insert it in the Pop-up until clic.



## 2 INSTALLATION (continued)

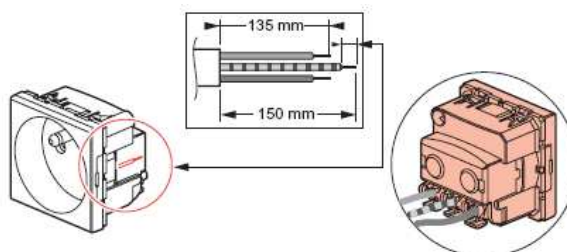
Installation for power sockets :

Assembly of the power cable in the Pop-up before the connection to wiring devices :

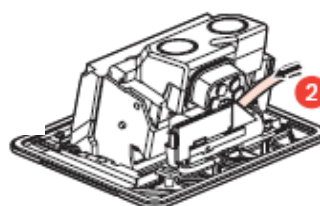
1- Remove the cable clamp



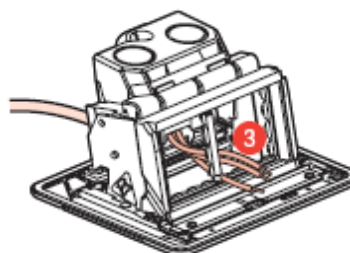
Wiring scheme with stripping :



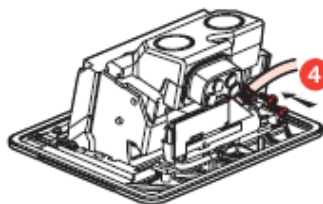
2- Insert the cable through the clamp support.



3- Let exceed only the stripped part of the cable inside the Pop-up



4- Lock the cable with the cable clamp



Connect the sockets cable before clipping on the support.



# Pop-Up

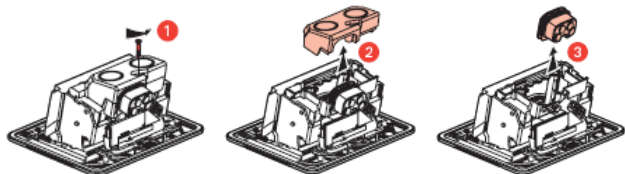
Number(s) : 0 540 00 to 03, 0 540 05 to 08, 0 540 10 to 13, 0 540 15 to 18, 0 540 20 to 23, 0 540 26, 0 540 28, 0 540 31, 0 540 33, 0 540 40 to 43

## 2 INSTALLATION (continued)

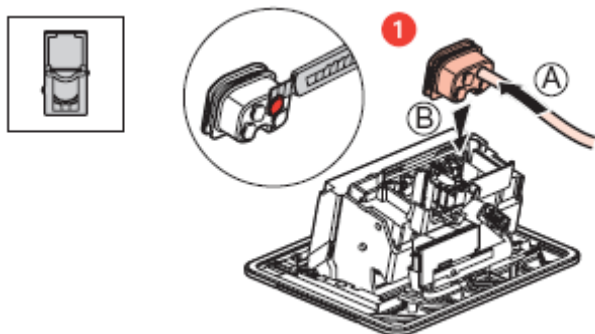
Installation for data sockets :

Assembly of the Ethernet cable for network in the Pop-up before the connection to RJ 45 sockets :

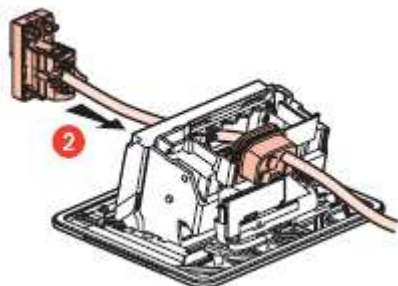
Remove the cable exit :



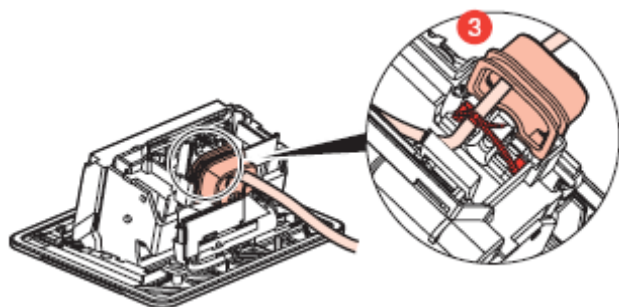
1- Cut out the protective cap according to the number of cable (4 max)



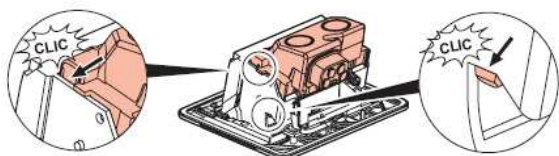
2- Pass the cables through the support to connect the sockets and clip them on the frame



3- Reposition the cable exit and block the cable using the cable tie.



Reassemble the cover with its screw to finalize the installation

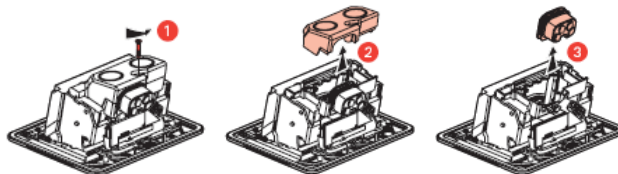


## 2 INSTALLATION (continued)

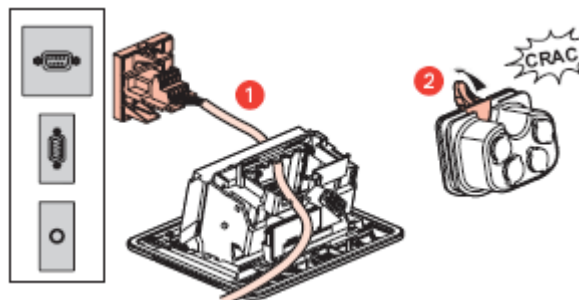
Installation for Audio/video sockets :

Assembly of the Audio cable in the Pop-up before the connection to HD 15 sockets :

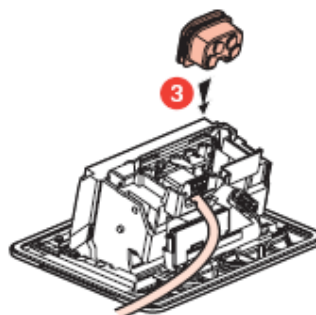
Remove the cable exit :



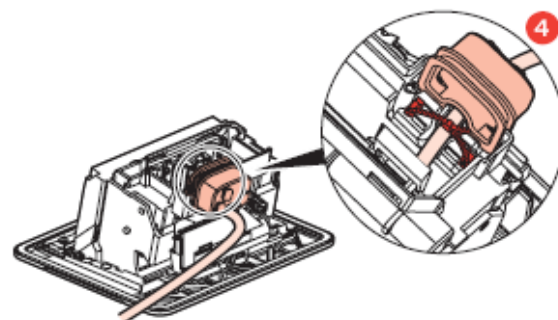
1- Pass the cable through the support to connect the HD 15 sockets  
2- Break the strip allowing the passage of the cable



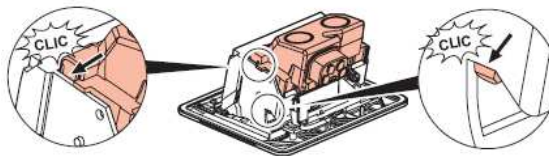
3- Position the cable in its receptacle and reposition the cable exit.



4- Lock the cable using the cable tie.



Reassemble the cover with its screw to finalize the installation



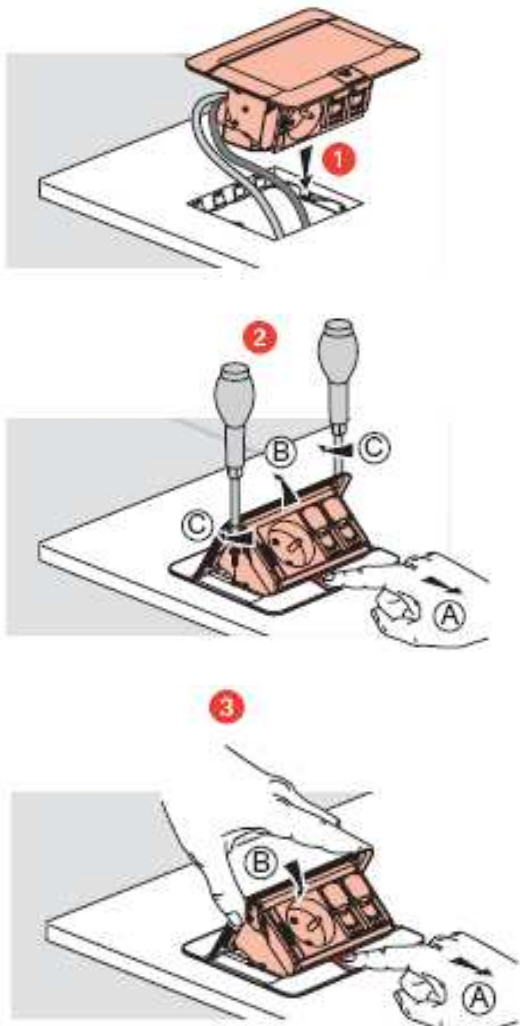
Note: in the case of audio/video mixed equipment (HD 15 + jack 3.5mm) equipped with two cords, proceed in the same way.

# Pop-Up

Number(s) : 0 540 00 to 03, 0 540 05 to 08, 0 540 10 to 13,  
0 540 15 to 18, 0 540 20 to 23, 0 540 26, 0 540 28, 0 540 31,  
0 540 33, 0 540 40 to 43

## 2 INSTALLATION (continued)

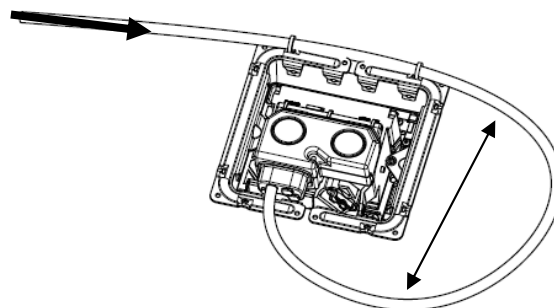
Installation of Pop-up on the desk or on the raised floor by screwing on the fixation supports



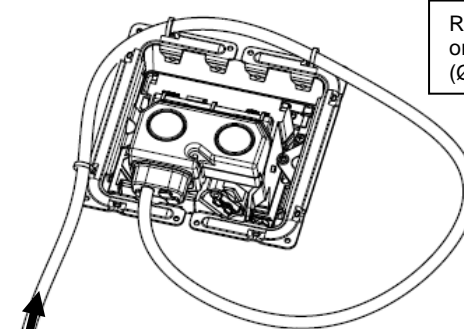
## 2 INSTALLATION (continued)

Positioning of data cables on the raised floor:

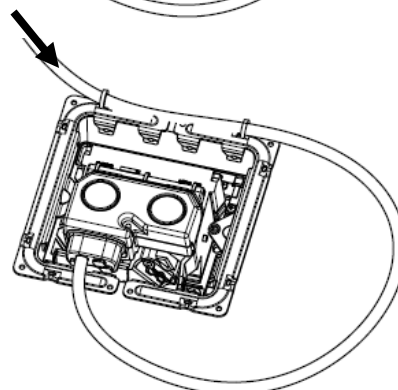
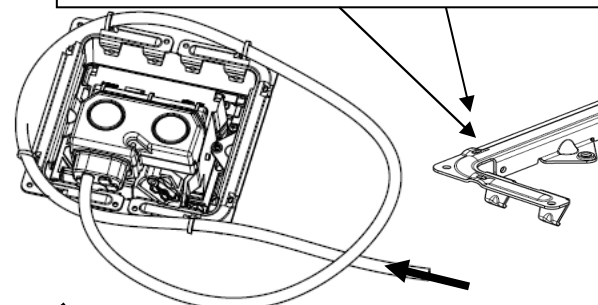
To respect the bend radius for data cables, it is necessary to fix the cables by respecting a radius higher than 80mm (curve of the cable at the exit on the kit and the points of fixing of the cable on the fixation supports).



R=80mm  
or  
(Ø 160mm)



The oblong holes allow the passage of the cable ties to generate the loop of RJ 45 cable and to respect the bend radius for data cables.



Maximum cable for data in assembly in a raised floor : cable 6a F/UTP

Note : if installation with several cables, they must be attached together using a cable tie



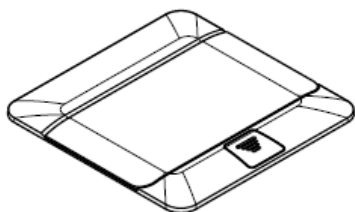
# Pop-Up

Number(s) : 0 540 00 to 03, 0 540 05 to 08, 0 540 10 to 13,  
0 540 15 to 18, 0 540 20 to 23, 0 540 26, 0 540 28, 0 540 31,  
0 540 33, 0 540 40 to 43

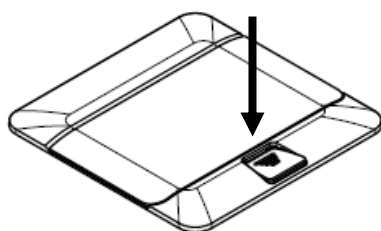
## 3 TECHNICAL CHARACTERISTICS

Opening of the Pop-up

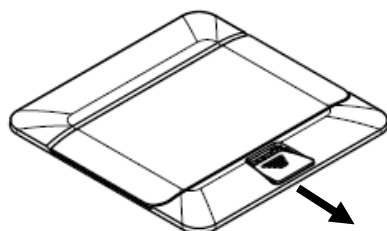
In position closed, the Pop-up is locked



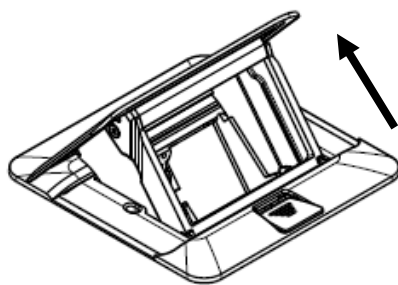
Press on the button to unlock the safety of the opening system



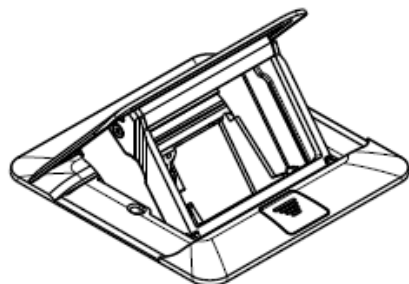
Pull the button



The trap door rises



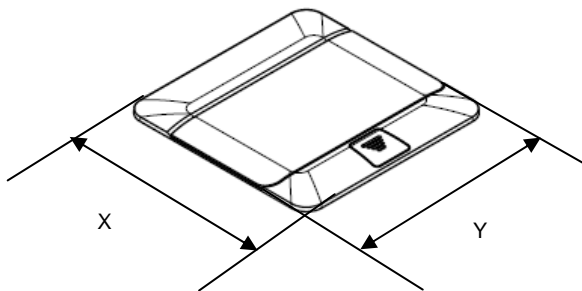
The button is positioned back automatically and the trap is locked when it is in high position (open)



To close again the Pop-up, it is necessary to press and pull to unlock.

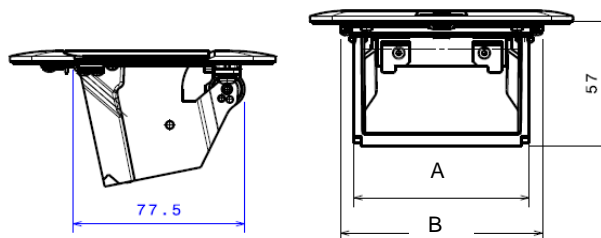
## 3 TECHNICAL CHARACTERISTICS (continued)

A : Dimensions of the Pop-up:



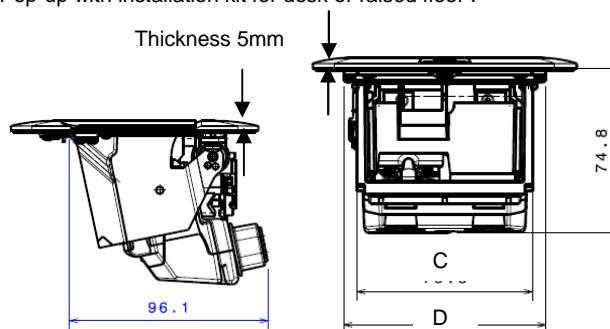
	X(mm)	Y(mm)
3 mod	120	120
4 mod	120	142.5
2x3 mod	120	230
2x4 mod	120	275

Pop-up (empty):



	A(mm)	B(mm)
3 mod	79.8	92
4 mod	102.3	114.5
2x3 mod	189.8	202
2x4 mod	231.6	247




Pop-up with installation kit for desk or raised floor :



	C(mm)	D(mm)
3 mod	79.8	92
4 mod	102.3	114.5
2x3 mod	189.8	202
2x4 mod	231.6	247

**3 TECHNICAL CHARACTERISTICS (continued)**

B : Table of compatibility of equipment which can be installed.

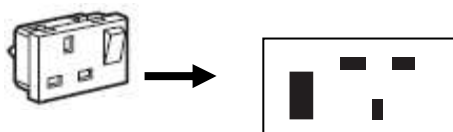
Type of sockets	Modules
Mosaic & Arteur	
RJ 1 & 2 modules Only to use in raised floor or desk	
Low voltage socket	

Please note that:

- for unswitched british standard socket you have to intall it at 90°



- for switched british standard socket, you have to install the mechanism at 180°



**3 TECHNICAL CHARACTERISTICS (continued)**

C : Classification for Pop-up standard:

Standard NFC 61-314 / EN 60 670-1 / EN 60 670-23)

Rated voltage	250 V~
To earth the system	R < 0,05 Ohms
Protection against mechanical impact:	IK07
Degrees of protection provided by enclosure:	IP30 open - IP40 closed.
Resistance to vertical load applied through small surface area:	1500N open - 3000N closed.
Insulation resistance	U=500V - R > 5M Ohms
Electric strength :	2000V

Installation on the floor : to be installed on floor subjected to a dry treatment.

Material :  
Material halogen free, fire proofed and no propagator of the flame.  
Resistant to corrosion and to the changes of temperature

Finishes	Material
Brass	Brass material
Aluminium	Aluminium material
Stainless steel	Zamak nickel coating
Black	Aluminium material with black painting
White	Aluminium material with white painting

Installation :  
On the floor (raised floor or concrete floor) (do not use data with concrete)  
In the furniture (on the desk)

Safety :  
You must earth the system

Assembly :  
Position the sockets directly in the supports (the installation is done by before)  
Remove the support, using a tool  
Open the cover by simple pressure on button located on the surface

Cleaning :  
The exterior should only be cleaned using a damp cloth (to avoid the contact with the active parts)  
Do not use grittings

## Pop-Up

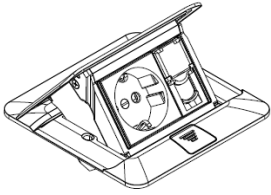
Number(s) : 0 540 00 to 03, 0 540 05 to 08, 0 540 10 to 13,  
0 540 15 to 18, 0 540 20 to 23, 0 540 26, 0 540 28, 0 540 31,  
0 540 33, 0 540 40 to 43

### 4 EXAMPLES TO USE

Example with wiring accessories on Pop-up :

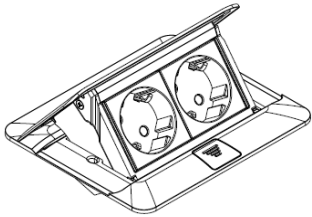
In Pop-up 3modules :

1 socket German standard 2P+E + 1 RJ 45 socket Cat6 UTP

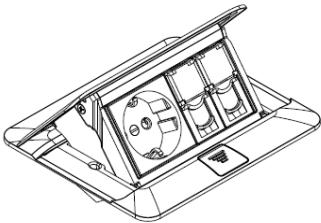


In Pop-up 4modules :

2 sockets German standard 2P+E

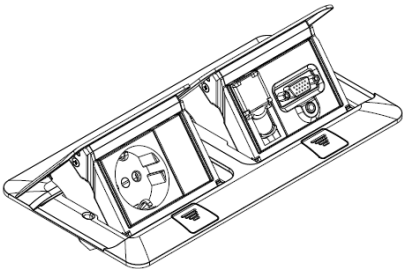


Or 1 socket German standard 2P+E + 2 RJ 45 sockets Cat6 UTP



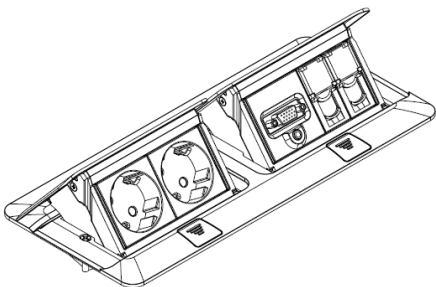
In Pop-up 2x3modules :

1 socket German standard 2P+E + 1 blanking plate  
+ 1 RJ 45 socket Cat6 UTP + 1 HD 15



In Pop-up 2x4 modules :

2 sockets German standard 2P+E + 1 HD 15 + 2 RJ 45 sockets  
Cat6 UTP



### 4 EXAMPLES TO USE

On concrete floor with the backbox for concrete:

Under concrete floor: