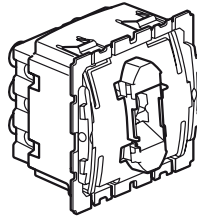


Céliane™ 20 AX switch

Cat. No(s): 670 21



670 21

1. GENERAL CHARACTERISTICS

Lighting control mechanisms that may or may not take marking components (indicator light).

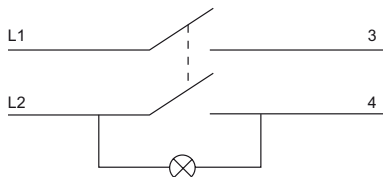
2. RANGE

	Description	Cat. No.	Number of gangs	Connection method	Weight (g)	Characteristics
	2-pole switch	670 21	1	with screws	36.5	20 AX 250 V~

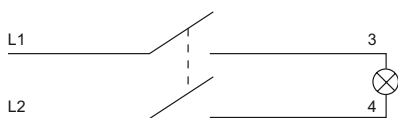
3. PRODUCTS WITH INDICATOR LIGHTS

Use lamps Cat. No. 676 64 (230 V - 2.4 mA) with a specific cover plate.

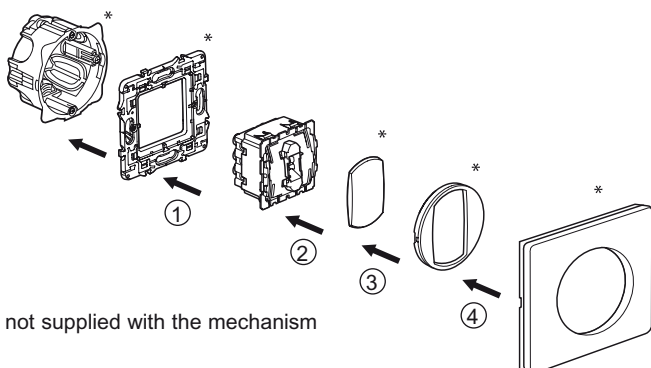
3.1 Lighting function (marking a control)



3.2 Indicator light function (circuit status)



4. FITTING



* not supplied with the mechanism

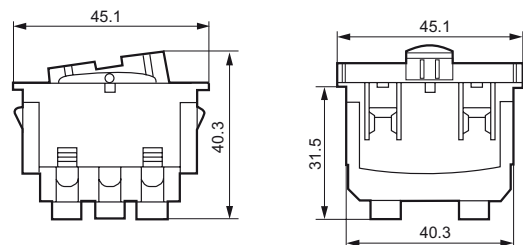
4. FITTING (cont'd)

- 1 - The mechanism is clipped to the support.
- 2 - The rocker is clipped to the mechanism.
- 3 - The cover plate (supplied with the rocker) is clipped to the mechanism/rocker assembly.
- 4 - The plate is clipped to the support.

Can be fitted with the full range of Céliane finishes.
Vertical and horizontal multi-gang mounting.

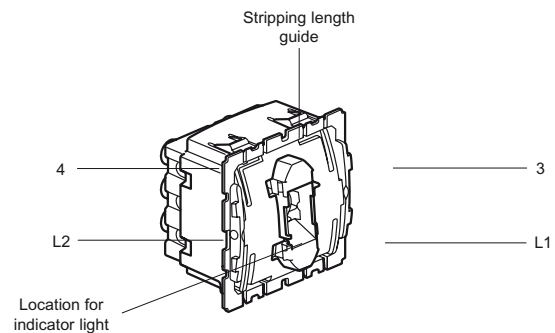
It is not possible to make a double switch in a 1-gang version.

5. OVERALL DIMENSIONS



6. CONNECTION

Terminal type: with screws
Terminal capacity: 2 x 4 mm².
Type of screwdriver: Posidriv 1, Philips No 1, flat-blade 4 mm
Stripping length: 10 mm



7. OPERATION

Tilt mechanism (handling force 2 to 3 N).

8. TECHNICAL DATA

8.1 Mechanical characteristics

Impact tests: IK 04
Penetration by solid/liquid bodies: IP 41 (C15100) } no
rocker

8.2 Material characteristics

Housing: Polycarbonate

8.3 Electrical characteristics

Self extinguishing : 650°C / 30 s
Voltage: 250 V AC
Current: 20 AX

8.4 Climatic characteristics

Storage temperatures: -10°C to +70°C
Operating temperatures: -5°C to +50°C

9. CLEANING

No cleaning

10. CONFORMITY - APPROVALS

In process: NF - CEBEC - BBJ