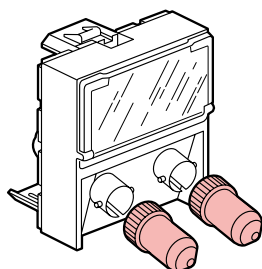
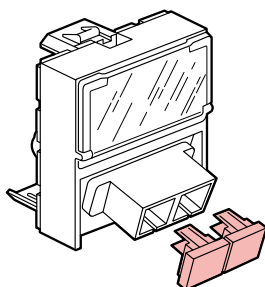


Mosaic™
Fibre optic feedthrough sockets

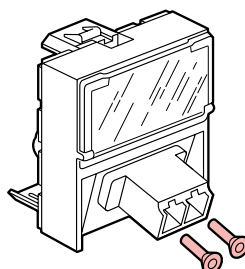
Catalogue number(s): 786 14/16/17/18



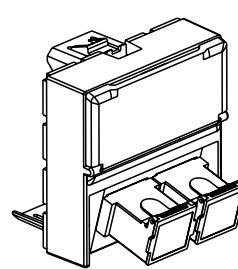
786 16



786 17



786 18



786 14

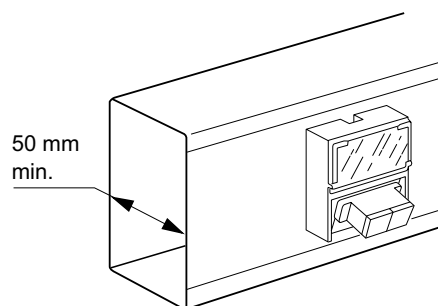
1. USE

The fibre optic feedthrough sockets have duplex or double simplex feedthroughs: 2 inputs/2 outputs.
They are used to connect 2 fibres (fitted with their connectors). They are supplied with protective caps and fitted with a transparent marker holder.
Number of modules: 2

2. RANGE

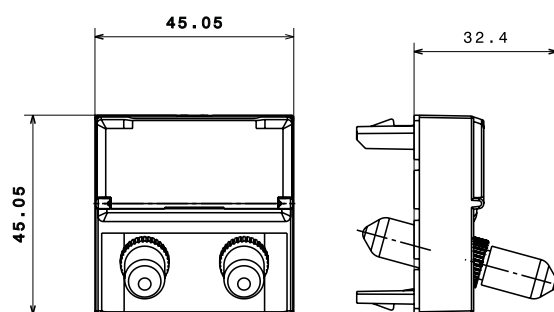
	Description		Mosaic	Weight (g)
	- Feedthrough socket Bayonet connection - White	ST	786 16	49
	- Feedthrough socket Push-pull connection - White	SC	786 17	48
	- Feedthrough socket Push-pull connection - White	LC	786 18	47
	- Feedthrough socket Double simplex with flap - White	SC/APC	786 14	42

3. MOUNTING: example

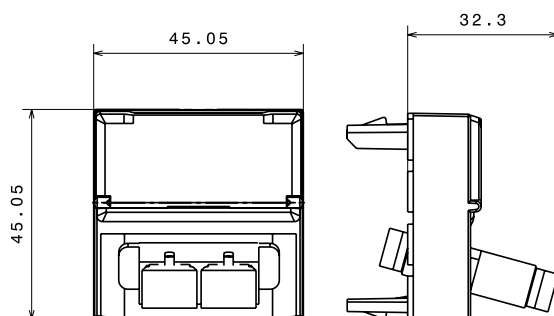


4. OVERALL DIMENSIONS

786 16



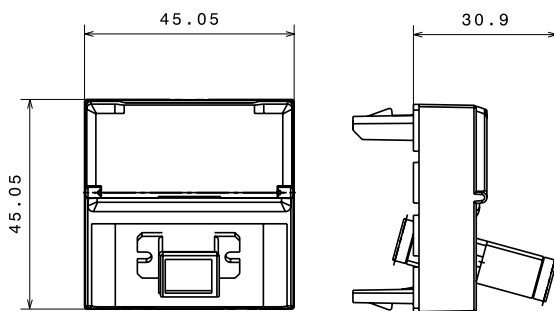
786 17



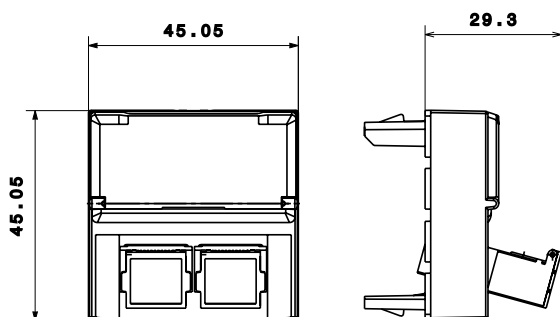
Fibre optic feedthrough sockets

4. OVERALL DIMENSIONS (continued)

786 18



786 14



5. TECHNICAL FEATURES

5.1 Features of the connectors

ST connector

- Helical shape
- Locked by "push and turn" bayonet type connector

SC connector

- Rectangular shape
- "Push-pull" latch type locking
- Suitable for a large number of active devices
- Recommended in the generic standards ISO/IEC 11801 and EN 50173

LC connector

- Rectangular shape
- Tab locking
- Size: half the size of a conventional connector

SC/APC connector

- Single mode APC
- Insertion loss: 0.2 dB
- Endurance (500 insertions): increase of 0.2 dB maximum

5.2 Climatic features

- Usage and storage temperature: - 40°C to + 85°C