

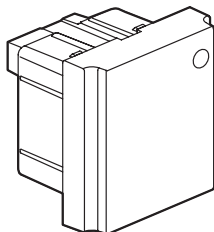
Mosaic™ Surge arrester

Cat. No(s) : 775 40/41/42

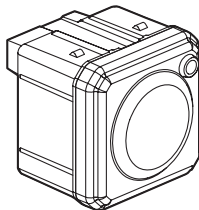
CONTENTS

Page

1. Use	1
2. Range	1
3. Preparation	1
4. Overall dimensions	1
5. Connection	1
6. Operation	2
7. Technical characteristics	2
8. Cleaning	3
9. Special uses	3
10. Accessories	3
11. Conformity - Approvals	3



775 40/42



775 41

1. USE

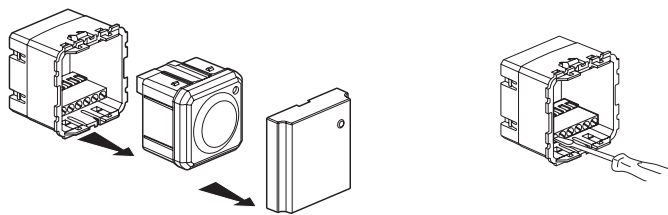
Protection between phase and neutral of socket outlets connected downstream against overvoltages generated by the electrical network upstream of the voltage surge protector, by creating a discharge current on the network and/or ground connection.
To be used in addition to panel-connected voltage surge protectors.

2. RANGE

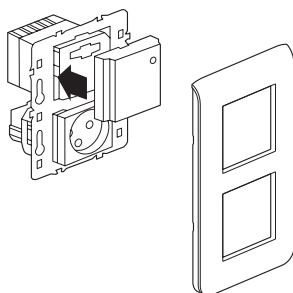
	Designation	Cat. No.	No. of modules	Weight (g)
	Surge arrester	775 40	2	104
	Surge arrester cartridge	775 41	/	65
	Filter	775 42		2

3. PREPARATION

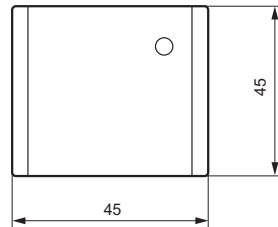
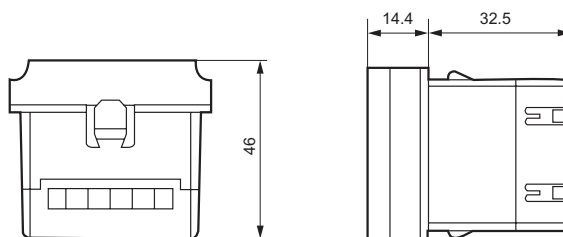
Surge arrester + cartridge (Cat. No. 775 40/41) :



Filter (Cat. No. 775 42) :

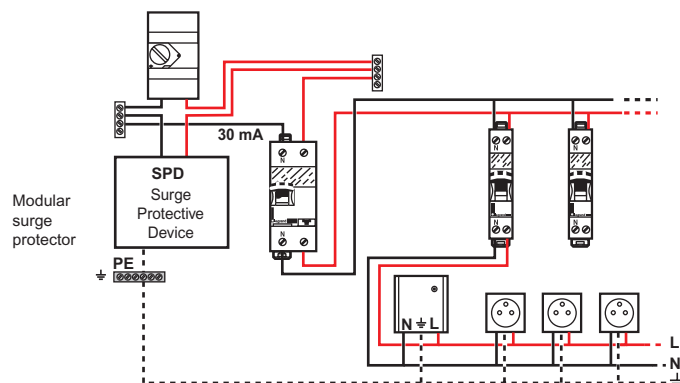


4. OVERALL DIMENSIONS



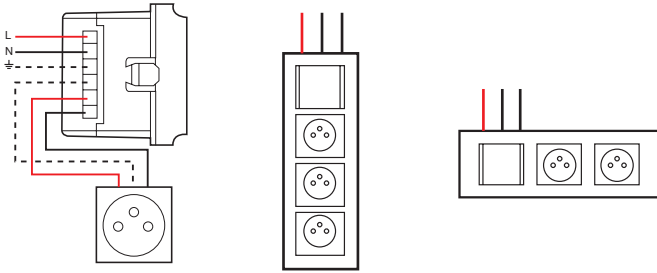
5. CONNECTION

Installation method Cat. No. 775 40/41



5. CONNECTION (cont'd)

Cabling Cat. No. 775 42



Terminal type : with holes
Size : Ila
Capacity : 2 x 2.5 mm²
Type of screwdriver : Flat-blade 4 mm max.

6. OPERATION

6.1 Surge protector function

- Surge protectors are designed to limit transient overvoltages of atmospheric and industrial origin.
- They have a certain capacity to absorb energy and age with each operation; it is therefore normal for them to be out-of-service after a certain number of operations. The imminent out-of-service status is signalled, and the plug-in module should be replaced.
- Surge protectors are designed to be installed at use points and are to be used in addition to the installation's original modular protection.
- They are not designed to provide sole protection for an installation in a building likely to be hit by direct lightning strikes (e.g. buildings equipped with a lightning arrester). This would immediately put the device out-of-service by exceeding its maximum discharge capacity.
- Overvoltages of atmospheric origin occur between the active conductors and the earth. They are highly charged and uncontrolled.
- Overvoltages of industrial origin occur between the active conductors (P + N) and are not so highly charged.
- Mosaic Programme surge protectors are equipped with an "On" indicator light (to be checked on a regular basis).
- Mains supply present. Green indicator light on. Operational protection
- Mains supply present. Red indicator light on. Change the module

Once the plug-in module is out-of-service the installation is no longer protected but remains powered (including the unplugged module)

6.2 Filter function

Independently of the overvoltage protection function, the filter function attenuates radio frequency conducted disturbances reinjected into the network by other uses (e.g. industrial environment). The filter Cat. No. 775 42 is supplied with a spare fuse.

- Mains supply present. Indicator light on. No voltage at socket : overload. Change the fuse and eliminate the overload (remove the cartridge to change the fuse (6.3 A)).

7. TECHNICAL CHARACTERISTICS

7.1 Mechanical characteristics

IP 20

7.2 Material characteristics

Material : Polycarbonate (base + cover plate)
Colour : base : storm grey (RAL 7016)
cover plate: white (RAL 9003)

7.3 Electrical characteristics

Self-extinguishing : 650°C / 30 s
Max. steady state voltage : 250 VAC
Network rated voltage : 230 VAC (+ 6 % - 10 %)
Frequency : 50/60 Hz
Current : 16 A (Cat. No. 775 40/41) - 6 A (Cat. No. 775 42)
Fuse protection : yes (775 42)
Type of fuse : 5 x 20 fast type 6.3 A (Cat. No. 775 40/41); 6 x 32 fast type 12.5 A (Cat. No. 775 42)
Protection level : L-N : 25ns
N-PE : 100ns
L-PE : 100ns

according to NF EN 61-643-11 L-N : 1kV : 1.5 kA
N-PE : 1 kV : 1.5 kA
L-PE : 1 kV : 1,5 kA

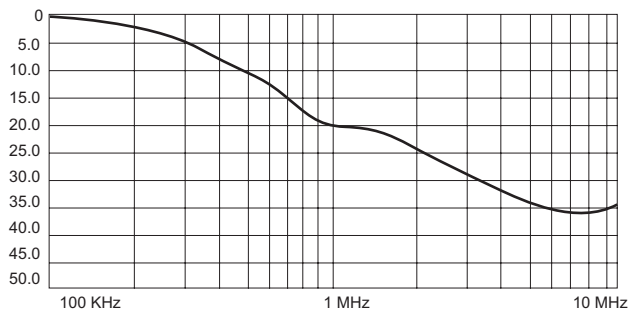
Leakage current at 250 VAC : < 1 mA for Cat. No. 775 40
Rated discharge current : 1.5 kA } according to standard
Maximum current : 6 kA } NF EN 61-643-11
For joined sockets L < 1 m

Surge arrester (for Cat. No. 775 40 only)

Leakage current at 250 V AC between conductor and earth : < 1 mA

Filter (for Cat. No. 775 42 only)

Leakage current at 250 V AC between conductor and earth : < 1 mA



Asymmetrical attenuation (between phase or neutral and earth) in dB

Frequency (MHz)	0.1	0.5	1	5	10
Attenuation (dB)	0	10	20	35	35

Built according to NF C 61-111

7. TECHNICAL CHARACTERISTICS *(cont'd)*

7.4 Climatic characteristics

Storage temperatures : - 20°C to + 60°C

Operating temperatures : - 5°C to + 40°C

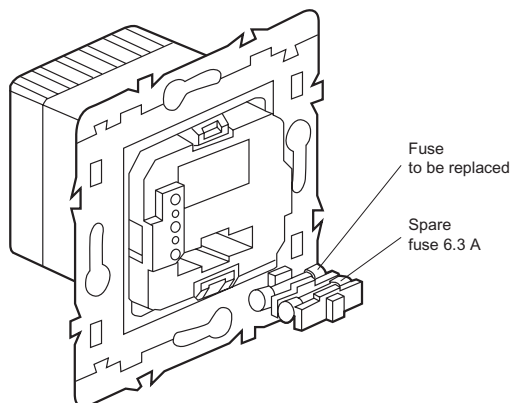
8. CLEANING

8.1 Cleaning

Clean the surface with a slightly damp cloth.

Do not use : tar remover, acetone, trichloroethylene.

8.2 Replacing the fuse (Cat. No. 775 42 only)



9. SPECIAL USES

- Regularly check that the indicator light is on.
- Favour the use of an S-type circuit breaker for modular equipment only.
- If the circuit-breaker cannot be reset, remove the plug-in module.
- Do not exceed 6 A for Cat. No. 775 42.

10. ACCESSORIES

Supplied with :

- 1 instruction leaflet
- 1 hole base label to be fixed in the socket outlets, indicating the current limit at 6 A (Cat. No. 775 42 only).

11. CONFORMITY - APPROVALS

Approvals in process Cat. No. 775 40/41 : NF