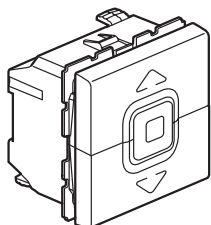
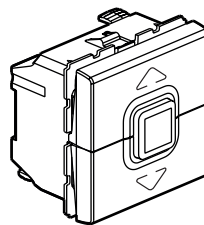


# Mosaic™ Controls for opening

Cat. No(s) : 0 770 25/26/28 - 0 792 25/26 /28



0 770 25/26  
 0 792 25/26



0 770 28  
 0 792 28

### 1. USE

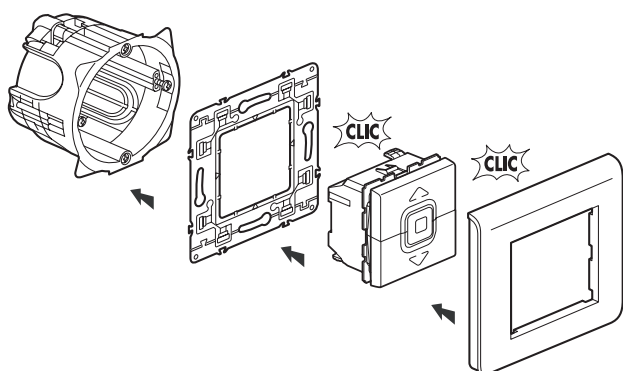
Control mechanisms for roller shutters, blinds and awnings.

### 2. RANGE

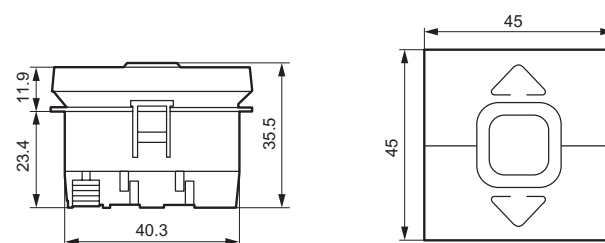
| Designation  | Cat. No. |           |
|--|----------|-----------|
|  | Blanc    | Aluminium |
| Pushbutton for roller shutters / blinds / awnings                | 0 770 25 | 0 792 25  |
| Switch for roller shutters / blinds / awnings                    | 0 770 26 | 0 792 26  |
| Pushbutton direct control for roller shutters / blinds / awnings | 0 770 28 | 0 792 28  |

### 3. PREPARATION

The mechanisms can be flush-mounted or surface-mounted.  
 Modular mechanisms using adapters Cat. No. 0 802 99 (2 modules).  
 The mechanisms are mounted on thin walls using adapters Cat. No. 0 802 91 (2 modules).



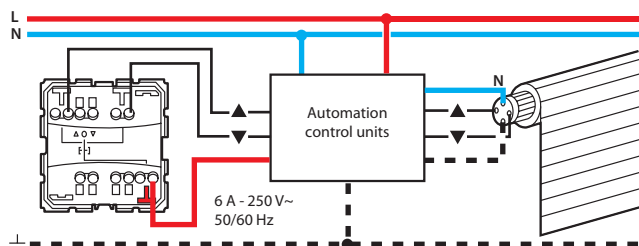
### 4. OVERALL DIMENSIONS



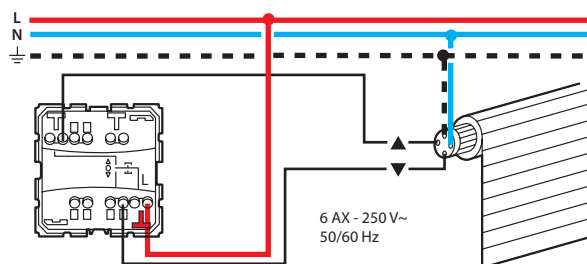
### 5. CONNECTION

Terminal type: automatic  
 Stripping: 13 mm  
 Terminal capacity: 2 x 2.5 mm<sup>2</sup>

Pushbutton wiring (Cat. No. 0 770 25 - 0 792 25)

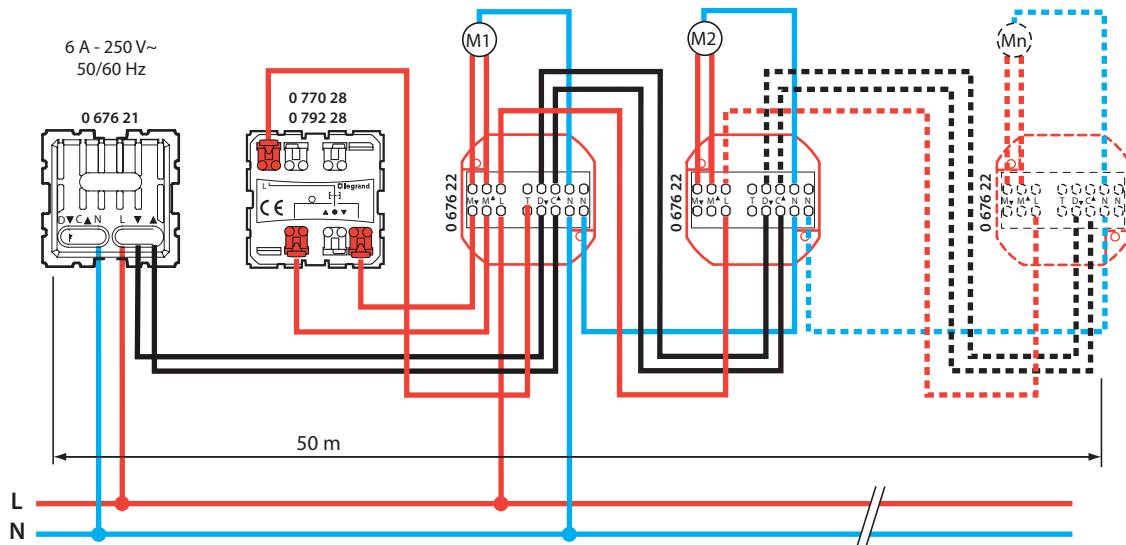


Switch wiring (Cat. No. 0 770 26 - 0 792 26)



## 5. CONNECTION (continued)

Pushbutton wiring (Cat. No. 0 770 28 - 0 792 28)

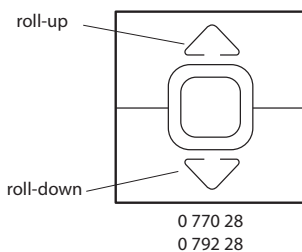
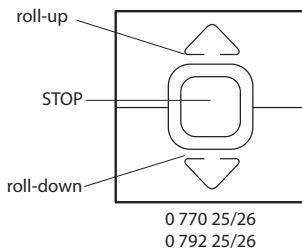


## 6. OPERATION

Cat. Nos. 0 770 25 - 0 792 25: double pushbutton for controlling one or more opening motors via automation control units (closing mechanism).

Cat. Nos. 0 770 26 - 0 792 26: double switch for direct control of opening drives (fixed position mechanism).

Cat. Nos. 0 770 28 - 0 792 28: double pushbutton for relay control (closing mechanism) of motor opening (without STOP).



## 7. TECHNICAL DATA

### 7.1 Mechanical characteristics

Impact tests: IK 04  
Penetration by solid/liquids bodies: IP 41 (C15-1000)

### 7.2 Material characteristics

Rocker: ABS (RAL 9003)  
Base: Polycarbonate  
Rocker support: Polycarbonate

### 7.3 Electrical characteristics

Self-extinguishing: 650° C / 30 s  
Voltage: 250 VAC  
Current: 0 770 26 - 0 792 26 : 6 AX  
0 770 25/28 - 0 792 25/28 : 6 A  
Max. controlled power: 500 W

### 7.4 Climatic characteristics

Storage temperatures: - 10° C to + 70° C  
Operating temperatures: - 5° C to + 50° C

## 8. CLEANING

Surface cleaning with a cloth.  
Do not use: acetone, tar remover, trichloroethylene.

### 8.1 Resistance to cleaning agents

Resistance to the following agents: Hexane (EN 60669-1), Methylated spirits, Soapy water, Diluted ammonia, Diluted pure bleach 10%, Glass cleaning substance, Pre-impregnated wipes.

### 8.2 Resistance to hospital-type cleaning agents

Resistance to the following agents: Anios, Surfianios, Bactily sine, Diluted hydrogen peroxide (35%).

Caution: A preliminary test should be carried out if other specific cleaning products are to be used.

## 9. CONFORMITY - APPROVALS

NF