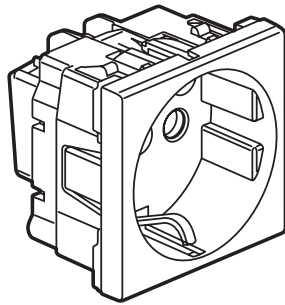
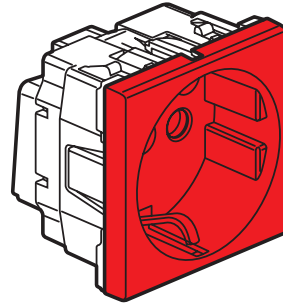


Mosaic™ Socket outlets to Schuko standard

Cat. No(s): 772 13/14/18/45 - 792 11/13



772 13



772 14

1. USE

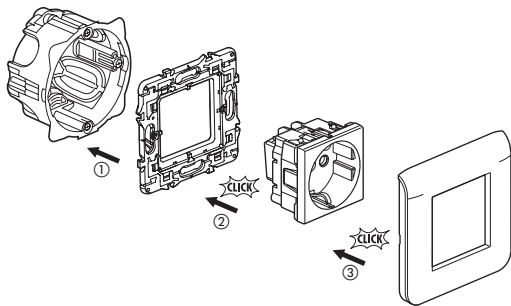
Socket outlet 16 A - 250 V~ to Schuko standard.

2. RANGE

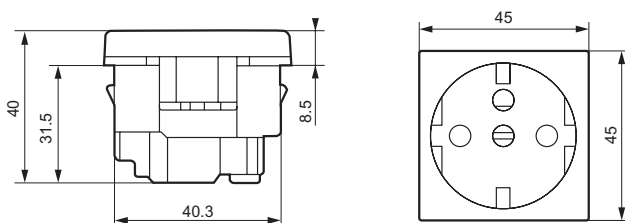
	DEsignation	Cat. No.	Finishes	No. of modules	Connection method	Weight (g)
	Socket 2P+E special 4 mm ² and tapping	772 11 772 13 792 13	white white aluminium	2	automatic with screws with screws	37
	Socket 2P+E tamperproof	772 14 772 18	red red	2	with screws automatic	
	Socket 2P+E 45° inclined	772 45	white	2	automatic	

3. PREPARATION

Modular mechanisms using adapter Cat. No. 802 99 (2 modules).
The mechanisms are mounted on thin walls using adapters Cat. No. 802 90 (1 module), Cat. No. 802 91 (2 modules), Cat. No. 802 92 (2 x 1 vertical module).
The mechanisms can be flush-mounted or surface-mounted.

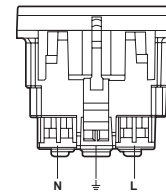


4. OVERALL DIMENSIONS



5. CONNECTION

Terminal capacity: 2 x 4 mm²
Type of screwdriver to use: Flat-blade 4 mm
Stripping length: 10 mm



6. TECHNICAL CHARACTERISTICS

6.1 Mechanical characteristics

Impact resistance: IK04
IP20

6.2 Material characteristics

Base: Polycarbonate
Cover plate: Polycarbonate

6.3 Climatic characteristics

Self-extinguishing: 650° C / 30 s
Storage temperatures: - 10° C to + 70° C
Operating temperatures: - 5° C to + 50° C

7. CLEANING

Surface cleaning with a cloth.
Do not use: acetone, tar remover, trichloroethylene.

7.1 Resistance to cleaning agents

Resistance to the following agents: Hexane (EN 60669-1), Methylated spirits, Soapy water, Diluted ammonia, Diluted pure bleach 10%, Glass cleaning substance, Pre-impregnated wipes.

7.2 Resistance to hospital-type cleaning agents

Resistance to the following agents: Anios, Surfanios, Bactylisine, Diluted hydrogen peroxide (35%).

Caution: A preliminary test should be carried out if other specific cleaning products are to be used.

8. ACCESSORIES

Tamperproof insert Cat. No. 502 99 for tamperproof socket outlet Cat. No. 772 14.

9. CONFORMITY - APPROVALS

Approvals in process: Cat. No. 772 13
VDE - OVE - AENOR - KEMA - MEEI - GOST - TSE.