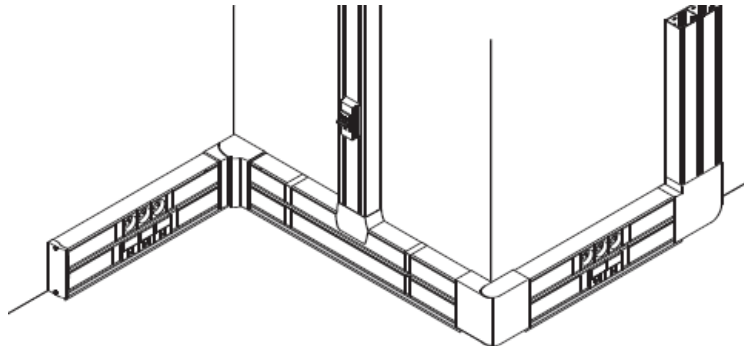


DLP-S Trunking

Number(s) : 6 380 00 to 04, 6 380 08, 6 380 20 to 26,
6 380 30 to 36, 6 380 38, 6 380 40 to 46, 6 038 57.



| SOMMAIRE | PAGES |
|-----------------------------|--------|
| 1.Trunking | 1 to 2 |
| 2.Accessories | 3 to 6 |
| 3.Technical chacteristiques | 7 |
| 4.Material chacteristiques | 7 |

1. TRUNKING.

DLP-S trunking offers:

- the distribution, the protection and the derivation of the various cables in an electrical installation.
- trunkings, finishing accessories (end, joint of lid, joint of body, interior angle, exterior angle, flat angle, derivation)
- all the easy ways/advantages for the installation.
- comply with the standard EN 50085-2-1, safety and technical performance.
- a flexibility with the installation and maintenance:

4 new references of trunkings delivered with a cover of 45/75mm:

Note that we have 2 types of trunking:

Trunking with cover 45mm is a "Snap-on trunking"

Trunking with cover 75mm is a "Universal trunking"

This new trunking will allow the universal direct clips of all the mechanisms 45x45 of the market

- Fish-plate which makes it possible for just one man to install a length of 2m

- Pre-drilling of the funds in the trunking

Fixing by:

- wall plugs for immediate fixing (without screw nor nail ref. 30899)
- DLP rapid wall plug ref 30897 (for 10mm maxi plasterboard walls at least 20mm away from the concrete surface)
- screw, nails...

Cut out using a saw (standard hacksaw)

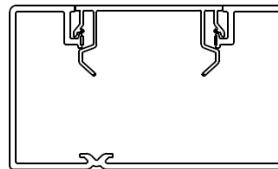
Possibility of adapting separation partition.

| References | Body | Pack |
|------------|--------|------|
| 6 380 20 | 85x50 | 24m |
| 6 380 30 | 100x50 | 12m |
| 6 380 40 | 130x50 | 12m |

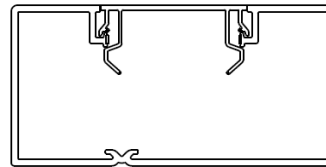
1. TRUNKING (continued)

1.1. Snap-on Trunking :

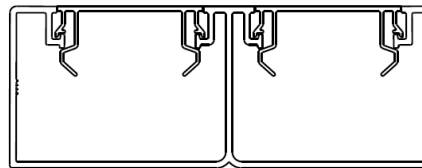
85x50 ref 6 380 20



100x50 ref 6 380 30

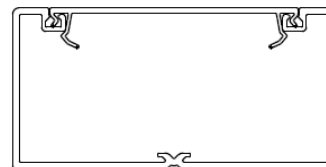


130x50 ref 6 380 40



1.2. Universal Trunking :

100x50 ref 6 380 38



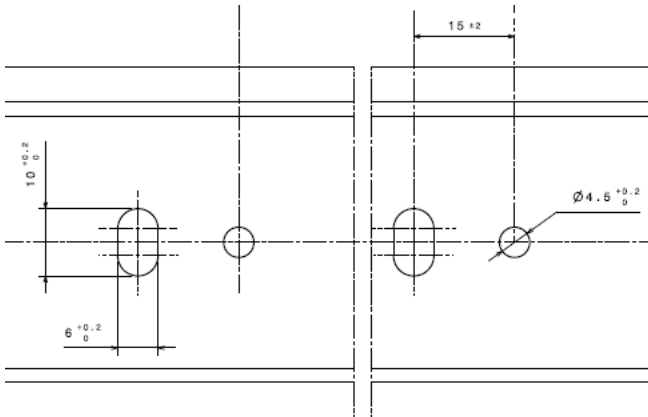
| References | Body | Pack |
|------------|----------|------|
| 6 380 38 | 100x50 U | 12m |

DLP-S Trunking

Number(s) : 6 380 00 to 04, 6 380 08, 6 380 20 to 26,
6 380 30 to 36, 6 380 38, 6 380 40 to 46, 6 038 57.

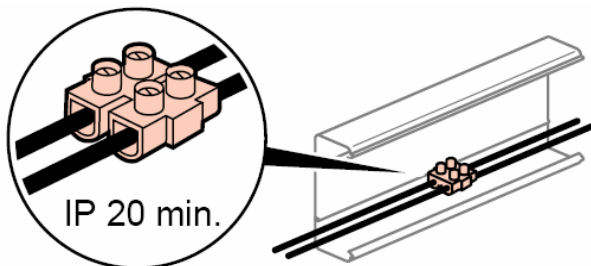
1. TRUNKING (continued)

Dimensions of holes in funds of the bodies:



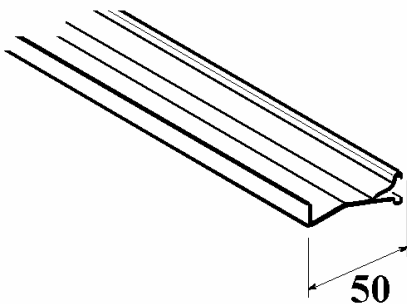
Funds of the bodies provided with holes for fixing, facilitating the upgrade of the trunking (balance/slope)

Attention with use of conductors inside the sections



Inside the trunkings, connection of the conductors using "domino" to respect the IP 20 mini.

1.3. Partitions PVC ref 6 380 08



Delivered in length of 2m
White Color.

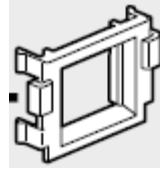
For the separation of various types of currents allows (sector, telephone, data processing...)
Assembly with the body by clipsage (only on trunking 85x50 and 100x50)

Pack by 26m

1. TRUNKING (continued)

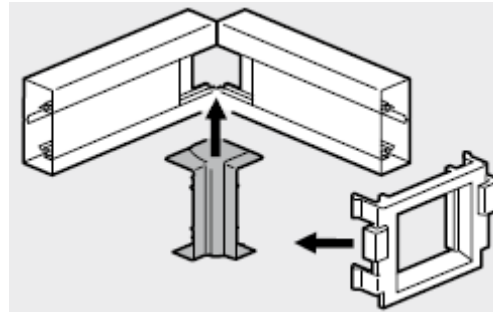
Note:

To installing accessories below with universal trunking 100x50 ref 6 380 38, please used the adaptor delivered with accessories 85x50 and 100x50



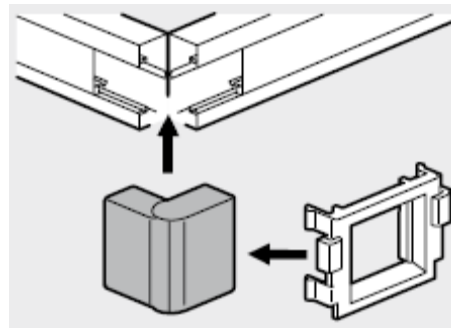
Example with internal angle:

To use with an 100x50 ref 6 380 38, please used the adaptor (delivered with internal angle) for mounting the angle:



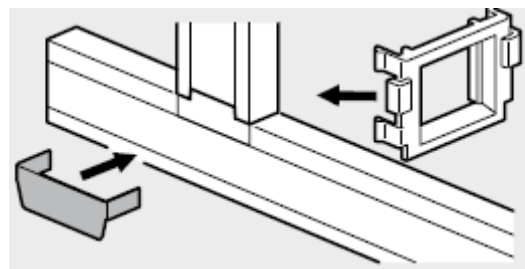
Example with External angle:

To use with an 100x50 ref 6 380 38, please used the adaptor (delivered with External angle) for mounting the angle:



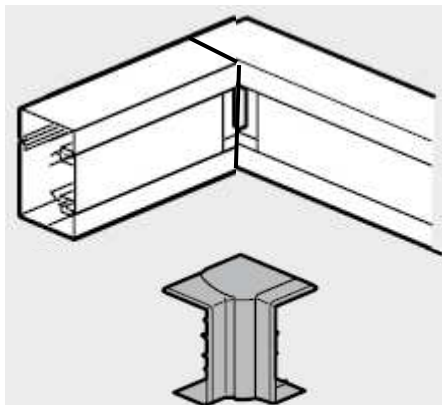
Example with Flat junction :

To tap-off to an 100x50 ref 6 380 38, please used the adaptor (delivered with flat junction) for mounting the junction:



2. ACCESSORIES.

2.1 Internal angle ref: 6 380 21/31/41



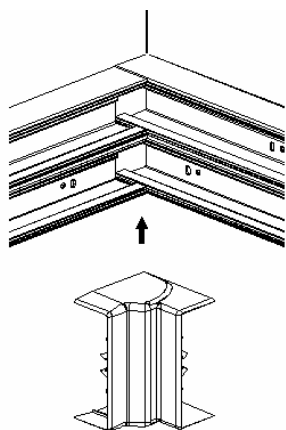
The junction in interior angle of two pieces of the same section:
- avoid the cut of miter on the trunking
- respect of the degree protection
- aesthetics improves (covering of the cut and not or little extra thickness)

Variable internal angles of 80 with 120°.
White color.

Assembly on the body by clipsage.

Note: For DLP 100x50 Universal trunking ref 638 038, use the special adaptor (please look at page 2)

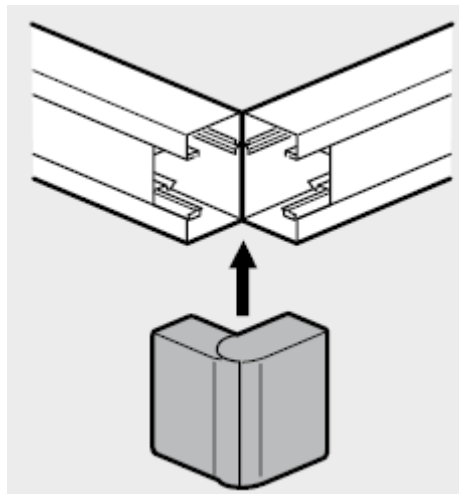
Positioning of trunking :



| Internal angle | Sections | Pack |
|----------------|----------|------|
| 6 380 21 | 85x50 | 10 |
| 6 380 31 | 100x50 | 8 |
| 6 380 41 | 130x50 | 10 |

2. ACCESSORIES (continued)

2.2 External angle ref: 6 380 22/32/42



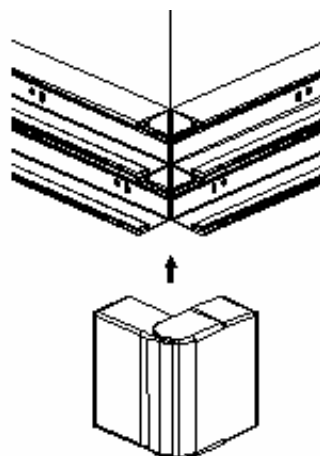
The junction in exterior angle of two pieces of the same section:
- avoid the cut of miter on the trunking
- respect of the degree protection
- aesthetics improves (covering of the cut and not or little extra thickness)

Variable external angles of 60 with 120°.
White color.

Assembly on the body by clipsage.

Note: For DLP 100x50 Universal trunking ref 638 038, use the special adaptor (please look at page 2)

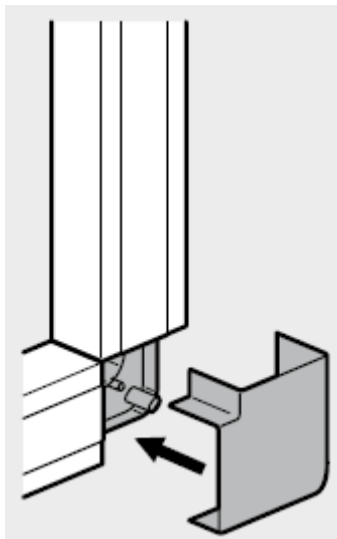
Positioning of trunking :



| External angle | Sections | Pack |
|----------------|----------|------|
| 6 380 22 | 85x50 | 10 |
| 6 380 32 | 100x50 | 8 |
| 6 380 42 | 130x50 | 10 |

2. ACCESSORIES (continued)

2.3 Flat angle ref: 6 380 23/33/43



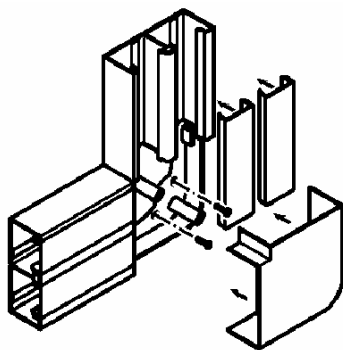
The junction in flat angle of two same sections allows:

- avoid the cut of miter on the trunking
 - respect of the degree protection
 - the distribution of the various currents preserves
 - aesthetics (covering of the cut) improves
- Assembly on the body by clipsage.

White color.

Angles not variable (fix to 90°)

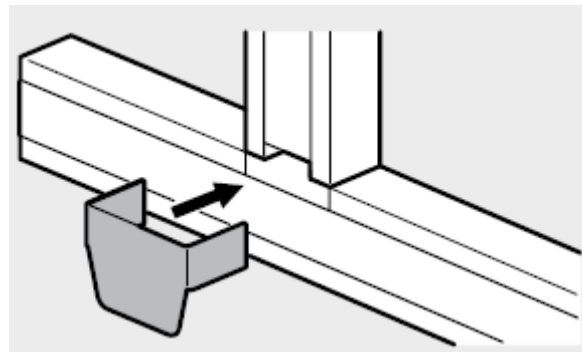
The flat angles are delivered with 2 elements.



| Flat angle | Sections | Pack |
|------------|----------|------|
| 6 380 23 | 85x50 | 10 |
| 6 380 33 | 100x50 | 4 |
| 6 380 43 | 130x50 | 10 |

2. ACCESSORIES (continued)

2.4. Flat junction ref. 6 380 24/34/44



The junction in "T" allows.

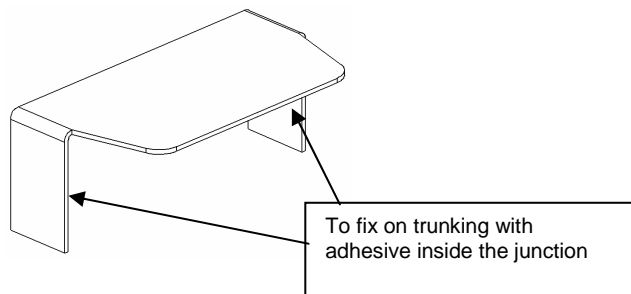
- respect of the degree protection
 - aesthetics (covering of the cut) improves
- Assembly on the body by clipsage

Note: For DLP 100x50 Universal trunking ref 638 038, use the special adaptor (please look at page 2)

White color.

| Flat junction | Sections | Pack |
|---------------|----------|------|
| 6 380 24 | 85x50 | 5 |
| 6 380 34 | 100x50 | 5 |
| 6 380 44 | 130x50 | 5 |

« Té » with adhesive for trunking 130 and 160

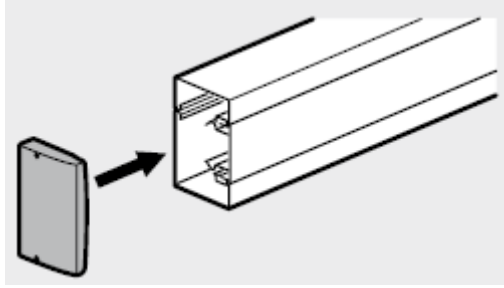


DLP-S Trunking

Number(s) : 6 380 00 to 04, 6 380 08, 6 380 20 to 26, 6 380 30 to 36, 6 380 38, 6 380 40 to 46, 6 038 57.

2. ACCESSORIES (continued)

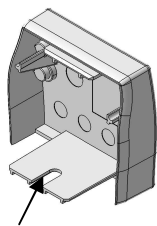
2.5. End cap ref : 6 380 25/35/45



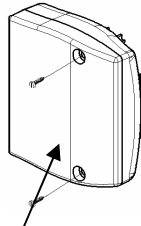
Allows to block the end of the body:
 - respect of the degree protection
 - improvement of aesthetics (covering of the cut)
 - left or right end cap
 Assembly on the body by fitment and screwing.

White color.

The end cap is delivered with a screw and of a part of closing
 Montage sur le corps de la goulotte par emboîtement et vissage.



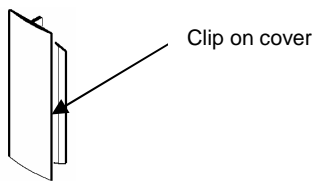
On interior



On exterior

| End cap | Sections | Pack |
|----------|----------|------|
| 6 380 25 | 85x50 | 10 |
| 6 380 35 | 100x50 | 10 |
| 6 380 45 | 130x50 | 10 |

2.6 Cover joint ref: 6 380 00



Clip on cover

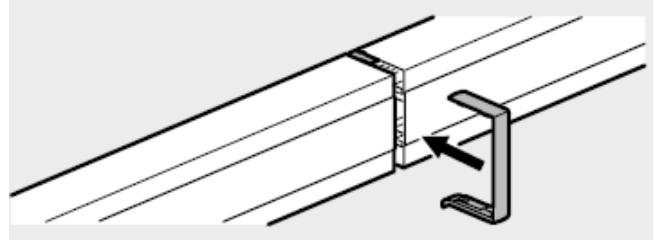
White color.
 Allows:
 - the junction end to end of two covers
 - respect of the degree protection
 - to improve aesthetics (covering of the cut)
 Assembly of the joint by clipsage

Pack by 10

| Cover joint | Sections | Pack |
|-------------|------------|------|
| 6 380 00 | Cover 45mm | 10 |

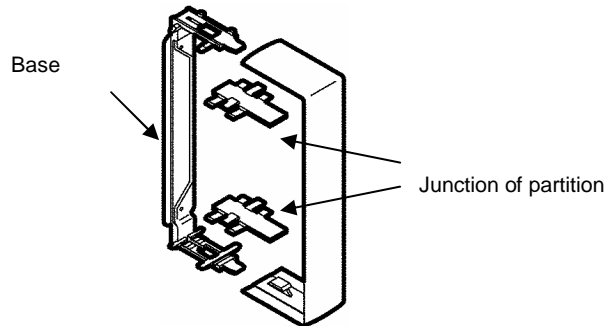
2. ACCESSORIES (continued)

2.7 Body joint ref: 6 380 26/36/46



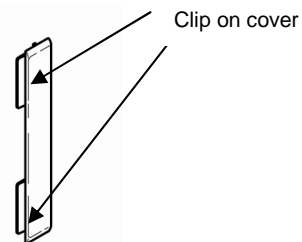
Allows:
 - the junction end to end of two covers
 - respect of the degree protection
 - to improve aesthetics (covering of the cut)
 Assembly of the joint by clipsage

White color.



| Body joint | Sections | Pack |
|------------|----------|------|
| 6 380 26 | 85x50 | 10 |
| 6 380 36 | 100x50 | 10 |
| 6 380 46 | 130x50 | 10 |

2.8 Joints de couvercle réf. 6 380 01



Clip on cover

White color.
 Allows:
 - the junction end to end of two covers
 - respect of the degree protection
 - to improve aesthetics (covering of the cut)
 Assembly of the joint by clipsage

| Cover joint | Sections | Pack |
|-------------|------------|------|
| 6 380 01 | Cover 75mm | 10 |

DLP-S Trunking

Number(s) : 6 380 00 to 04, 6 380 08, 6 380 20 to 26,
6 380 30 to 36, 6 380 38, 6 380 40 to 46, 6 038 57.

2. ACCESSORIES (continued)

2.9 Normaclip ref. 6 038 57.

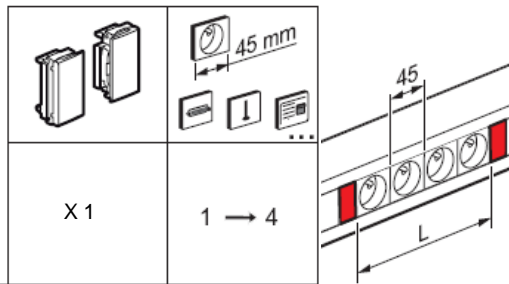
Accessory for fixing wiring devices inside the snap-on trunking.

Allows:

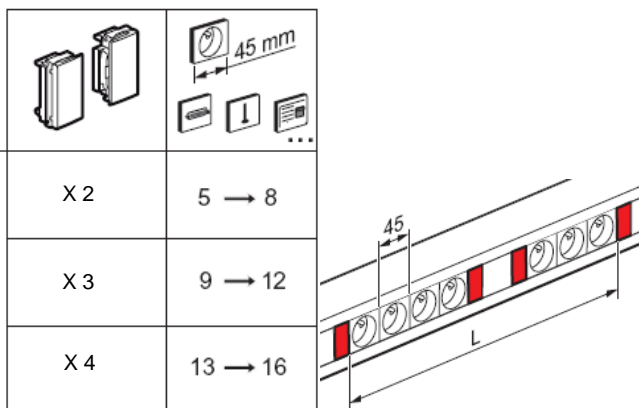
- anti-slip
- anti-pullout
- perfect finish
- respect of the degree protection (IP4X)

Concerning the number max of Mosaic modules can be use between 2 Normaclip, please respect the installation below (as 1 pair for 8 modules max, 2 pairs for 16 modules etc...)

$L \leq 4 \times 45\text{mm}$



$L > 4 \times 45\text{mm}$

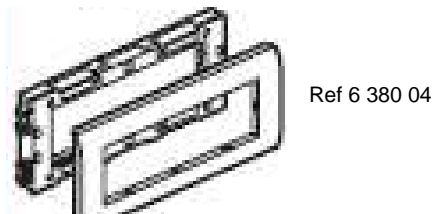
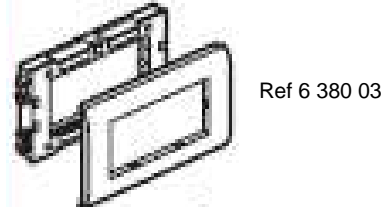
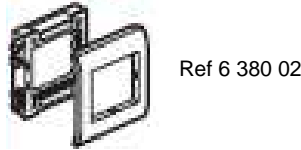


White color ref 6 038 57

Pack by 10 (10 set of 2)

2. ACCESSORIES (continued)

2.10 Supports ref 6 380 02/03/04



Supports delivered with finishing plate in white colour.

White color

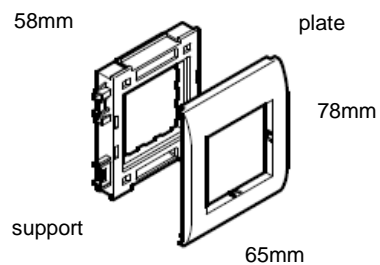
Allows:

the assembly on trunking equipped with lid 80mm of sockets 45x45 of 2/4/6 modules.

the assembly of the sockets 2 modules in horizontal position and vertical with supports 888 190 (only horizontal for the other supports)

| References | Number of modules | Pack |
|------------|-------------------|------|
| 6 380 02 | 2 modules | 10 |
| 6 380 03 | 4 modules | 5 |
| 6 380 04 | 6 modules | 5 |

Dimensions :



| | 2 mod. 6 380 02 | 4 mod. 6 380 03 | 6 mod. 6 380 04 |
|------------------|--------------------|--------------------|--------------------|
| Support Lxl (mm) | 58x73 | 123x73 | 168x73 |
| Plate Lxl (mm) | 65x78 | 130x78 | 175x78 |

3. TECHNICAL CHARACTERISTICS

Wiring capacity of DLP-S trunking:

| Snap-on Trunking | Section mm ² | Capacity | Diameter max | 3x1,5 mm ² | 3x2,5 mm ² | UTP & FTP CAT.6 |
|--|-------------------------|-------------------|--------------|-----------------------|-----------------------|-----------------|
| 85x50 Ref 6 380 20 | 2940 | Max | 36 | 26 | 19 | 58 |
| | 2092 | with 2P+E sockets | | 18 | 13 | 41 |
| | 2618 | with RJ 45 socket | | 23 | 17 | 52 |
| 100x50 Ref 6 380 30 | 4146 | Max | 36 | 36 | 27 | 82 |
| | 2738 | with 2P+E sockets | | 24 | 17 | 54 |
| | 3264 | with RJ 45 socket | | 29 | 21 | 65 |
| 130x50 Ref 6 380 40 2 compartments | 2646 | Max | 36 | 23 | 17 | 52 |
| | 1256 | with 2P+E sockets | | 11 | 8 | 25 |
| | 1762 | with RJ 45 socket | | 15 | 11 | 35 |
| | 2616 | Max | 36 | 23 | 17 | 52 |
| | 1206 | with 2P+E sockets | | 10 | 7 | 24 |
| | 1732 | with RJ 45 socket | | 15 | 11 | 34 |

| Universal Trunking | Section mm ² | Capacity | Diameter max | 3x1,5 mm ² | 3x2,5 mm ² | UTP & FTP CAT.6 |
|------------------------|-------------------------|-------------------|--------------|-----------------------|-----------------------|-----------------|
| 100x50 Ref 6 380 38 | 4146 | Max | 36 | 36 | 27 | 82 |
| | 2738 | with 2P+E sockets | | 24 | 17 | 54 |
| | 3264 | with RJ 45 socket | | 29 | 21 | 65 |

Classification of DLP-S trunking EN 50085-2-1

| | |
|---|--|
| 6.2 Resistance to impact for installation and application | 2.0J |
| 6.3 Minimum storage and transport temperature | - 25°C |
| 6.3 Minimum installation and application temperature | - 5°C |
| 6.3 Maximum application temperature | + 60°C |
| 6.4 Resistance to flame propagation | Non-flame propagating |
| 6.5 Electrical continuity characteristic | Without electrical continuity characteristic |
| 6.6 Electrical insulating characteristic | With electrical insulating characteristic |
| 6.7 Degrees of protection provided by enclosure | IP40 |
| 6.9 The system access cover retention | With a tool |
| 6.101 The position when surface mounted | Wall fixed Celling fixed |
| 6.102 The functions provided | Type 1 |
| Rated current | 500 V |
| Protection against mechanical shocks | IK 07 |

Compositions and functions of DLP-S trunking (1 system per line) EN 50085-2-1 :

| body | Trunking references | Section (mm ²) | End cap |
|-------------------|---------------------|----------------------------|----------|
| 85x50 | 6 380 20 | 2940 | 6 380 25 |
| 100x50 | 6 380 30 | 4146 | 6 380 35 |
| 100x50 | 6 380 38 | 4224 | 6 380 35 |
| 130x50 (2compart) | 6 380 40 | 2646/2616 | 6 380 45 |

4. MATERIAL CHARACTERISTICS.

Trunking/cover/partition => PVC, conform to the Directive RoHS*
Accessories => ABS conform to the Directive RoHS*

*RoHS designation :

Restriction of the use of certain Hazardous Substances, RoHS in the Equipements Electriques and Electroniques (EEE)