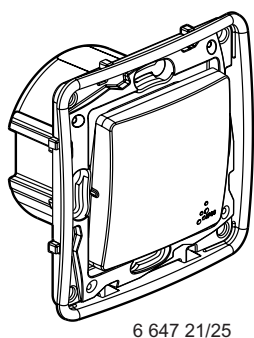
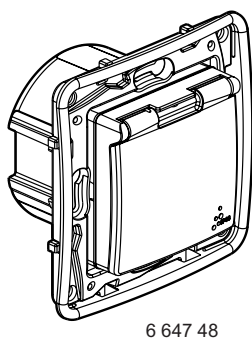


Niloé™ - IP44 sealed range
Two-way switch - pushbutton
French standard socket
Cable outlet - IP44 - IK07 plate

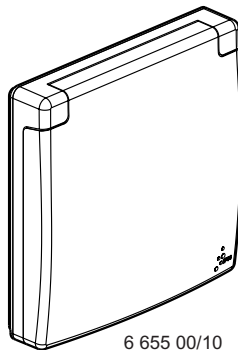
Cat. No(s): 6 645 49
6 647 21/25/48/49/95
6 648 21/25/48/49/95
6 650 00/10/96/99



6 647 21/25



6 647 48



6 650 00/10

CONTENTS

Pages

1. Use.....	1
2. Range.....	1-2
3. Positioning.....	2
4. Overall dimensions.....	2
5. Connection.....	3
6. Technical features.....	3
7. Maintenance.....	4
8. Accessories.....	4
9. Standards and approvals....	4

1. USE

IP 44 sealed wiring accessory range.
The mechanisms are supplied with cover plates, supports, an airtight sleeve and a site protective cover.
To be fitted with single module or multi-module plates, colour: white or ivory.
Mounted on standard plates.

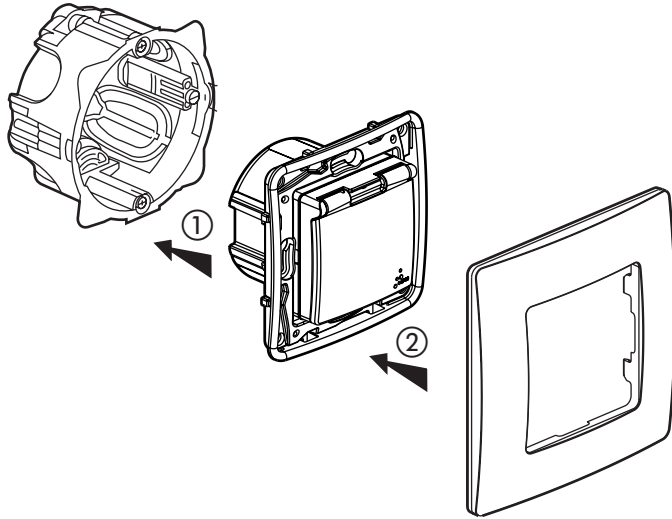
2. RANGE

	Description	Colour		Function
		White RAL 903	Ivory RAL 113	
	IP 44 - 10 AX two-way switch Airtight	6 647 21	6 648 21	Connected via automatic terminals Becomes illuminated with lamps Cat. No. 6 650 90 or 6 650 92. Monitor with bulb Cat. No. 665 091..
	IP 44 - 6 A pushbutton Airtight	6 647 25	6 648 25	NO-NC pushbutton Connected via automatic terminals Becomes illuminated with lamps Cat. No. 6 650 90 or 6 650 92.
	2 P + E - 16 A socket French standard - IP 44 Airtight	6 647 48	6 648 48	
	IP 44 cable outlet Airtight	6 647 49	6 648 49	Cable outlet are equipped with cable grips. Maximum diameter of the câble: 12 mm.
		6 645 49	-	Cable outlet are equipped with cable grips. Maximum diameter of the câble: 12 mm. With claws
	IP 44 and IK 07 single module plate	6 650 00	6 650 10	All the functions can be mounted (shallow external depth), except for sockets with flat cover (eg: Cat. No. 6 647 48). Excluding radio/ZigBee switches Cat. Nos. 6 651 01/02 and radio/ZigBee roller blind control Cat. No. 6 651 11.
	Airtight sleeve	6 650 96		Suitable for all standard mechanisms (except for the cable outlet)
	IP 20 cable outlet	6 647 95	6 648 95	Cable outlet are equipped with cable grips. Maximum diameter of the câble: 12 mm.

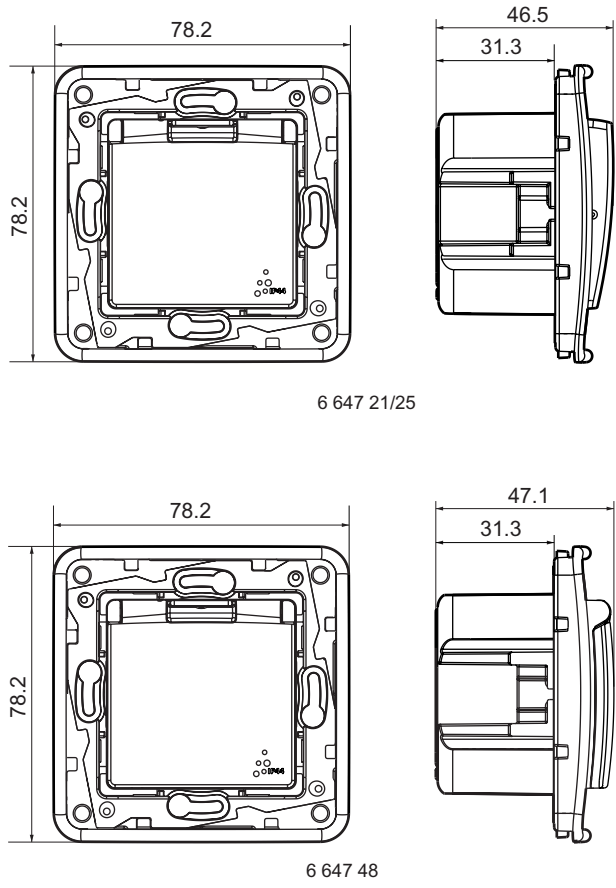
Niloé™ - IP44 sealed range
Two-way switch - pushbutton
French standard socket
Cable outlet - IP44 - IK07 plate

Cat. No(s): 6 645 49
 6 647 21/25/48/49/95
 6 648 21/25/48/49/95
 6 650 00/10/96/99

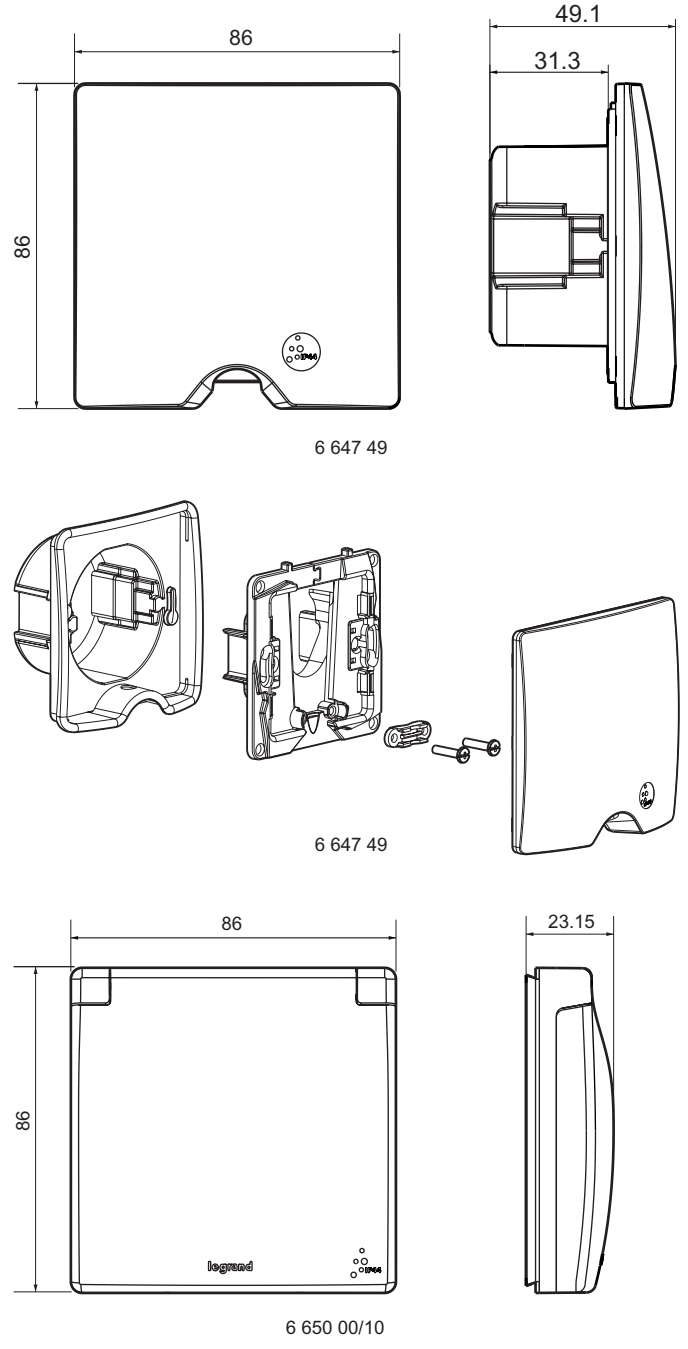
3. POSITIONING



4. OVERALL DIMENSIONS



4. OVERALL DIMENSIONS (continued)



Niloé™ - IP44 sealed range

Two-way switch - pushbutton

French standard socket

Cable outlet - IP44 - IK07 plate

Cat. No(s): 6 645 49
 6 647 21/25/48/49/95
 6 648 21/25/48/49/95
 6 650 00/10/96/99

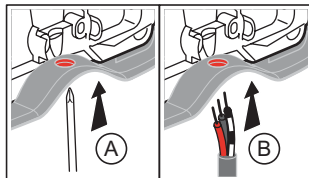
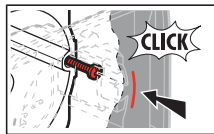
5. CONNECTION

The control functions have automatic terminals.
 The automatic terminal release keys are grey (RAL 735).
 Cable: 1.5 mm² for two-way switch and pushbutton
 2.5 mm² for 2P+E power socket
 Stripping length: 13 mm
 Compatible flexible or rigid cables.
 Cable entries for the phase marked with red colour code.



6 647 21/25

6 647 48



6 647 49

6. TECHNICAL FEATURES

6.1 Mechanical features

IP 44
 IK 04
 IK 07 for Cat. Nos. 6 650 00/10

6.2 Materials

Poly gloss appearance
 Colour: Pure (RAL 903) and Linen (RAL 113)
 Material: - Plate ABS
 - Rocker plate: ABS
 - Halogen-free

Self-extinguishing: - 850°C/30 s for insulating parts holding live parts in place
 - 650°C/30 s for other parts made of insulating materials

UV resistant

6. TECHNICAL FEATURES (continued)

6.3 Electrical features

Voltage: 250 VAC
 Current: - 10 AX for switch and two-way switch
 - 6 A for NO-NC pushbutton
 - 16 A for socket outlet

6.4 Climatic features

Storage and usage temperature: - 5°C to + 35°C

6.5 Features of the support

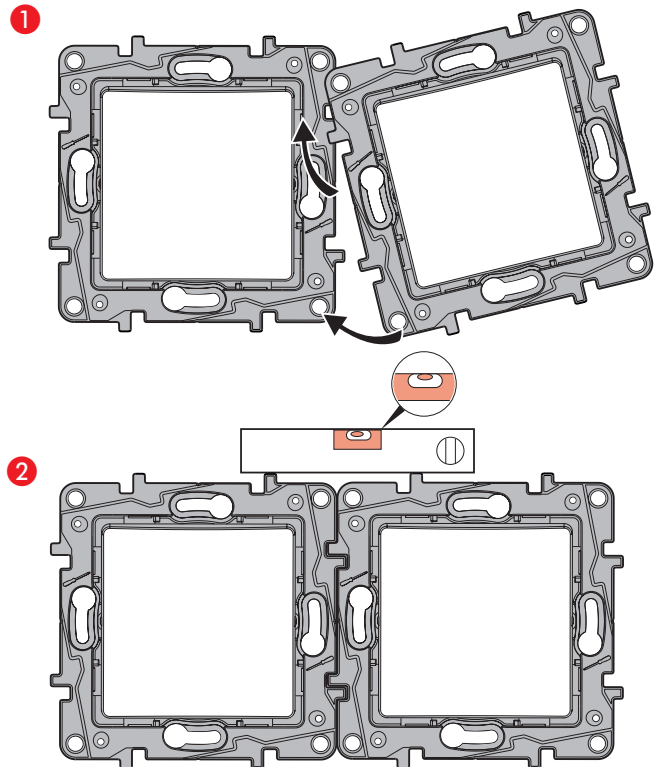
Material: Grey (RAL 737) halogen-free polycarbonate.
 High impact resistance and torsional strength due to the thickness of the support.

Easy guidance for positioning the mechanisms.

Horizontal or vertical alignment without lifting up the mechanisms too much

6.6 Features of the cover

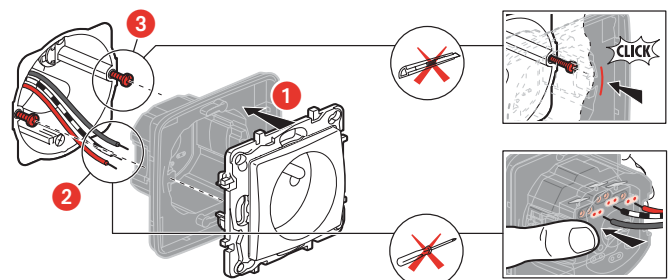
Material: APET, polyester-based plate, very clear, highly resistant to impacts and chemical agents.



6.7 Features of the sleeve

Cat. No.: 6 650 96

Material: SEBS
 Suitable for all standard mechanisms (except for the cable outlet).



Niloé™ - IP44 sealed range

Two-way switch - pushbutton

French standard socket

Cable outlet - IP44 - IK07 plate

Cat. No(s): 6 645 49
6 647 21/25/48/49/95
6 648 21/25/48/49/95
6 650 00/10/96/99

7. MAINTENANCE

Easy-clean (due to poly gloss surface).

8. ACCESSORIES

Monitor and indicator lights

Connection by direct mounting

LED lamp

• 6 650 90

230 V indicator light

Consumption 0.15 mA

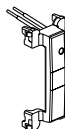
• 6 650 91

230 V monitor light

Consumption 3 mA

• 6 650 92

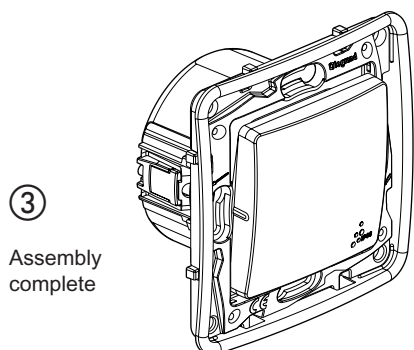
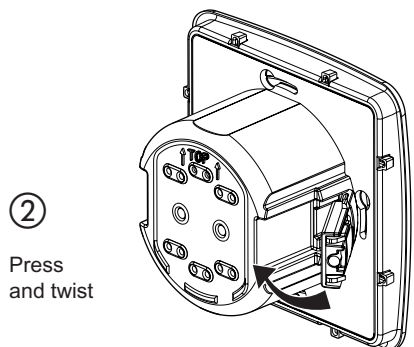
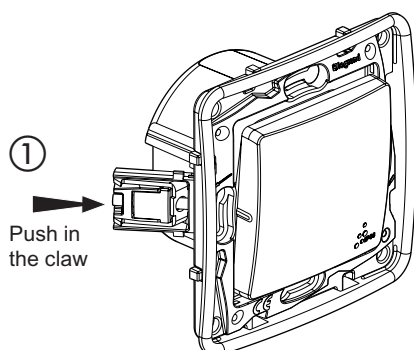
12 V - 24 V - 48 V indicator light



Claw 6 650 99

"Rapido" claw

For fixing devices in refurbishment projects



9. STANDARDS AND APPROVALS

- CB certificate (pending)
- NF certificate (pending)
- BBJ, VDE, MEEI, GOST, TSE (planned)