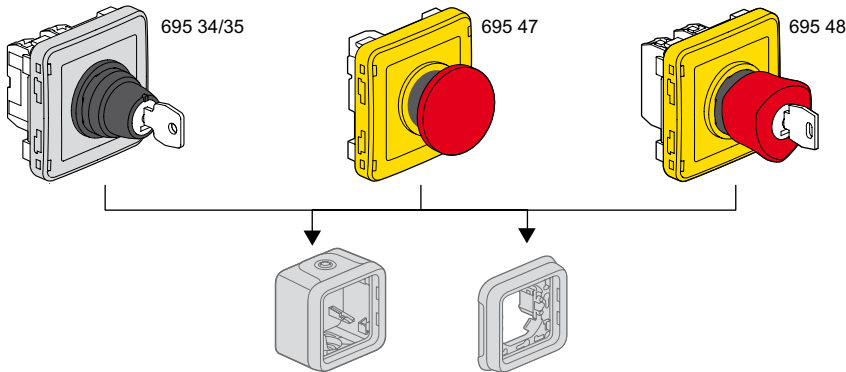


Plexo
Key switch - Emergency cut-off 3 A - 250 V

Cat. No.(s) : 695 34/35/47/48/49



CONTENTS

Page

1. Use	1
2. Range	1
3. Installation	1-3
4. Dimensions	3
5. General characteristics	3-4
6. Maintenance	4
7. Specific utilisations	4
8. Equipment and accessories	5

1. USE

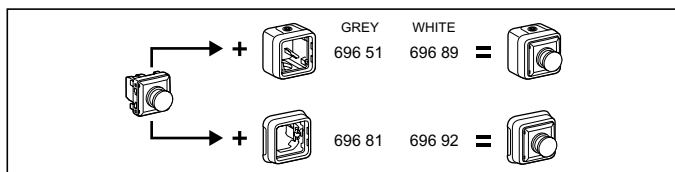
Weatherproof wiring device system designed for residential and professional technical rooms (garages, cellars, car parks, workshops, industrial kitchens, etc.) and outdoor environments (terraces, gardens, camp sites, etc.).

3 A - 250 V, key switches, supplied with a set of two no. 455 Ronis keys, key withdrawal in all positions and mechanisms supplied with front plates. Mechanisms are flush or surface-mounted with boxes and supports, screw terminal connection.

2. RANGE

Cat. No.	Module
695 34/35/47/48/49	

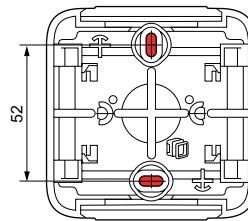
	Cat. No.	Designation	Characteristics	Weight (g)
MODULAR	695 34	2-position key switch. 3 A - 250 V	690 W - 3 A - 250 V 1.5 A - 24 V ⁻ Screws terminals	95
	695 35	3-position key switch. 3 A - 250 V	690 W - 3 A - 250 V 1.5 A - 24 V ⁻ Screws terminals	101
	695 47	Emergency cut-off, spring return push button, 3 A - 250 V single-pole	690 W - 3 A - 250 V 1.5 A - 24 V ⁻ Screws terminals	69
	695 48	Emergency cut-off, spring return push button, 3 A - 250 V single-pole	690 W - 3 A - 250 V 1.5 A - 24 V ⁻ Screws terminals	116
	695 49	Emergency cut-off, push button with quarter-turn lock, 3 A - 250 V	690 W - 3 A - 250 V 1.5 A - 24 V ⁻ Screws terminals	92



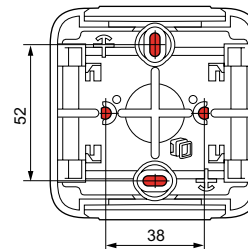
3. INSTALLATION

3.1 Surface mounting

- When back body is mounted on the support using two screws, max. dia. 3 mm to 4 mm.
- Layout template available cat. no. 695 97 (see page 5).

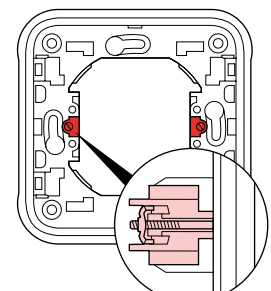
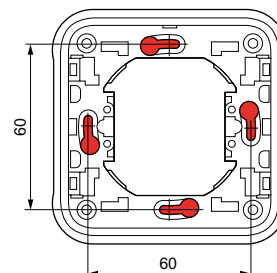


- Replaces former Plexo 55 series.



3.2 Flush mounting

- Screw-mounted in flush-mounting box
- Claw-mounted in flush-mounting box



Claws usable for mounting:
 Cat. No. 849 00
 or
 Cat. No. 849 01 (long claws)
 or
 Cat. No. 696 47 (IK08)

Plexo

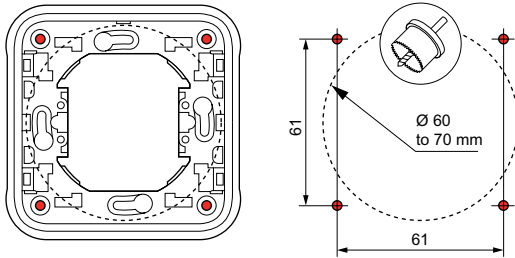
Key switch - Emergency cut-off 3 A - 250 V

Référence(s) : 695 34/35/47/48/49

3. INSTALLATION (continued)

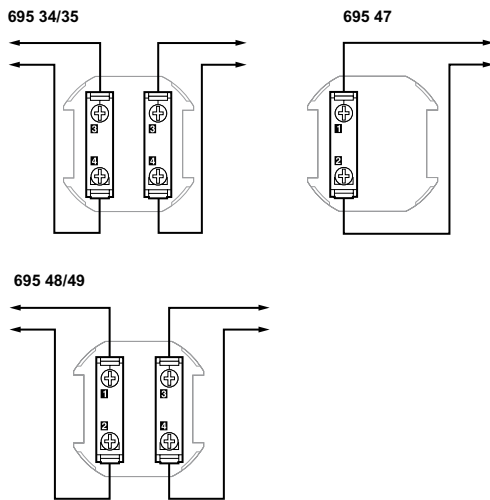
3.2 Flush mounting (continued)

- Mounting on base plate using 4 screws, dia. 4 mm.
Opening cut in base-plate, diameter 60 mm to 70 mm using a hole saw or a punch dia. 60 to 70 mm.



3.3 Connection to conductors

- Screw mechanisms - NO and/or NC contacts
- Type of screwdriver: flat 3.5 mm.



The required stripping length is 12 mm. The terminals accept cross-sections between 1.5 mm² and 2.5 mm² (one or two wires).

Plexo module product table (contact type)

Plexo Cat. No.	Contact type	Designation
695 47	1 NF livré 229 01	Emergency cut-off, spring return push button, 3 A-250 V single-pole
695 48	1 NF 1 NO livrés 229 01 + 229 02	Emergency cut-off, spring return push button, 3 A-250 V single-pole V
695 49	1 NF 1 NO livrés 229 01 + 229 02	Emergency cut-off, push button with quarter-turn lock, 3 A -250 V
695 34	2 NO livrés 2 x 229 02	2-position key switch. 3 A -250 V
695 35	NO livrés 2 x 229 02	3-position key switch. 3 A -250 V
Bloc contact		
229 02		NO screw terminals
229 01		NC screw terminals
230 51		NC spring terminals
230 52		NO spring terminals

3. INSTALLATION (continued)

3.4 Connection to conduits

Conduit types:

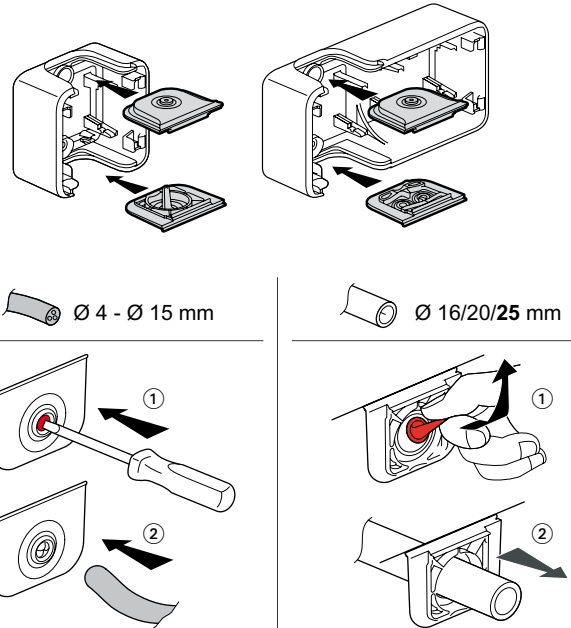
- Insulating rigid smooth tube
 - Insulating flexible bendable corrugated tube
 - Insulating flexible transversally bendable elastic corrugated conduit.
 - Insulating flexible transversally bendable elastic smooth conduit.
- } Ø 16 to 25 mm

Cables (examples):

- rigid conductors: U - 1000R2V 3G2.5
- flexible conductors: H07 RN - F 3G2.5

End pieces: flexible with membranes, 2 removable types.

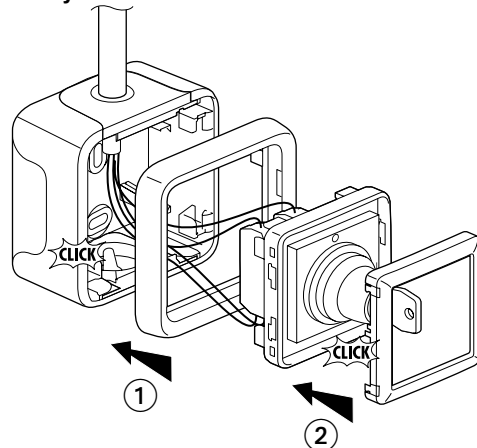
- entry gland with 1 entry supplied with 1 gang boxes (top and bottom)
- entry gland with 1 entry supplied with 2 gang and 3 gang boxes (top)
- entry gland with 2 entries supplied with 2 gang and 3 gang boxes (bottom)



Also available as accessories:

- 695 96 grey entry gland 1 entry
- 695 99 grey entry gland 2 entries
- 696 46 white entry gland 1 entry
- 696 49 white entry gland 2 entries

3.5 Assembly

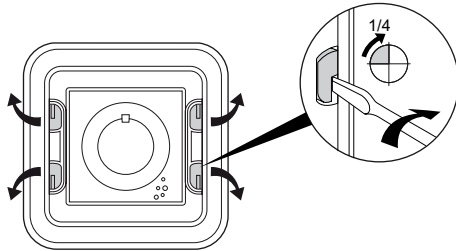


3. INSTALLATION (continued)

3.5 Assembly (continued)

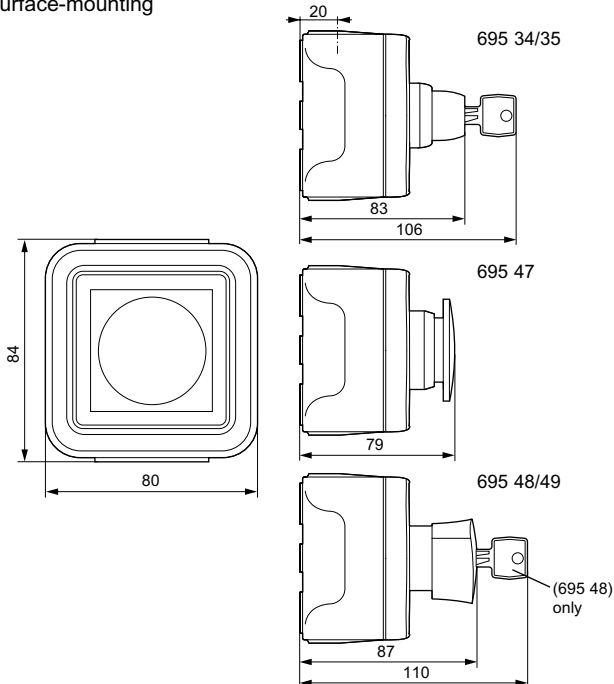
IP55 sealing on front part (cover) on the box is ensured by rotating four 1/4-turn fixings.

The direction of rotation of each 1/4-turn fixing is shown by an arrow on the cover.

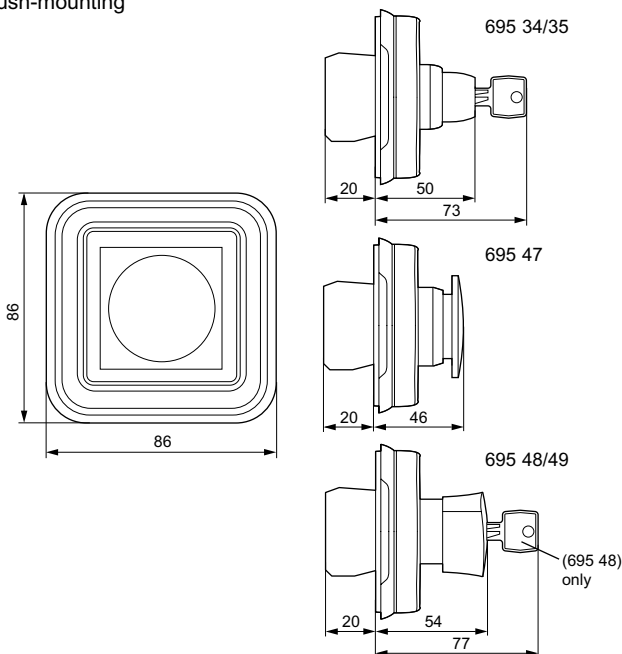


4. OVERALL DIMENSIONS

Surface-mounting



Flush-mounting



5. GENERAL CHARACTERISTICS

5.1 Mechanical characteristics

Protection rating:
- IP 55 IK 07

5.2 Materials characteristics

Materials

Box, support: PP (filled Polypropylene)

Plate, rocker: ABS (Acrylonitrile-Butadiene-Styrene)

Entry gland, front plate: PP + SEBS (Styrene-Ethylene-Butadiene-Styrene)

Mechanism: PC (Polycarbonate)

5.3 Resistance to chemical agents

	Characteristics
Acetone	-
Acetic acid, 10% solution	+
Acetic acid, 30 % solution	+
Aminosulfonic acid	-
Boric acid *	+
Hydrobromic acid, 47% solution	-
Hydrochloric acid*	-
Chromic acid	+
Citric acid*	+
Hydrofluoric acid*	-
Formic acid	-
Lactic acid *	+
Linoleic acid	-
Maleic acid	+
Nitric acid, 30 % solution	-
Nitric acid, 50 % solution	-
Perchloric acid, 10% solution	+
Phenol-sulfonic acid	-
Phosphoric acid*	-
Sulphuric acid	+
Tannic acid	-
Tartaric acid *	+
Ethanol	+
Isopropyl alcohol	+
Methanol	-
Phenyl ethanol, 100% solution	-
Ammonia	+
Baths for electroplating:	
- Bright silver bath	+
- Bright cadmium bath	+
- Chromium bath (50°C)	+
- Copper bath (with potassium cyanide)	+
- Copper bath (acid)	+
- Cleaning bath with chemical copper plating	+
- Brass bath	+
- Bright nickel bath	+
Barium	
- Barium chloride*	+
- Barium hydroxide*	+
- Barium nitrate*	-
Benzene	-
Beer	+
Lime chloride *	+
Cobalt chloride *	-
Copper chloride *	-
Ferrous chloride *	-
Manganese chloride	-
Mercury chloride *	-
Methylene chloride	-
Chlorine vapour (damp gaseous chlorine)	-
Sea water	+
Fertiliser	+
Epichlorhydrine	-
Heavy spirit	-
Mineral spirit	-
Turpentine spirit	-
Essential oils	+
Linseed oil	+

5. GENERAL CHARACTERISTICS *(continued)*

5.3 Resistance to chemical agents *(continued)*

Lubricating oil	+
Machine oil	+
Mineral oil	+
Liquid paraffin	+
Fish oil	+
Castor oil	+
Silicone oil	+
Humus	+
Aqueous hydrogen sulphide	+
Sodium hypochlorite, 10% solution	+
Fruit juice	+
Milk	+
Chlorinated detergent	+
Margarine	+
Fuel oil	+
Mercury	+
Methyl methacrylate	-
Silver nitrate *	+
Cobalt nitrate *	+
Manganese nitrate *	+
Mercury nitrate	+
Nickel nitrate *	+
Lead nitrate *	+
Oil, petroleum ether	-
Silicate (Potassium, Sodium)	+
Syrup (beetroot)	+
Sodium	+
- Sodium acetate*	+
- Sodium bromate*	+
- Sodium chloride* (salt)	+
Caustic soda, 40 % solution	+
Monomer styrene	-
Sugar	+
Trichloroethylene	-
Urine	+
Wine	+

* all concentrations in aqueous solution

Interpretation: + resistance - instability

This information is given for information only and cannot be construed as an undertaking on the part of the manufacturer.

Please consult us in the case of specific utilisation.

5.4 Resistance to ultra-violet radiation

No significant change after 7-day test with light intensity 550 W/m² (Lab method colorimeter test).

5.5 Resistance to salt spray: 7 days (168 hrs)

5.6 Electrical characteristics

- Self-extinguishing in accordance with IEC 60695-2-11:
- Components (or parts) required to secure live parts: 850° C
- Components (or parts) not required to secure live parts: 650° C
- Voltage - Current - Frequency
- 3 A 250 V~

5.7 Climatic characteristics

Storage and operating temperature: - 25° C to + 60° C

6. MAINTENANCE

Surfaces may be cleaned using a cloth, either dry or with soapy water. Do not use acetone, tar remover or trichloroethylene.

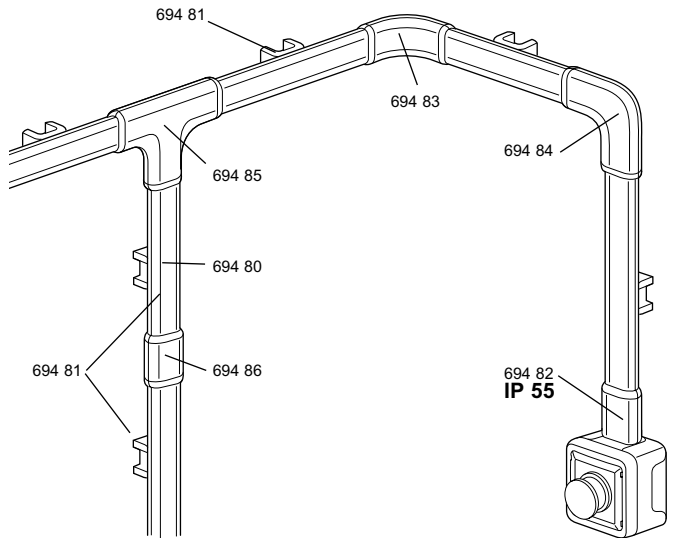
Caution: conduct preliminary tests before using any specific cleaning product.

7. SPECIFIC UTILISATIONS

Installations with profile.

The Plexo profile distribution system provides:

- Distribution, protection and branch connection of various wires and cables in an electrical installation.
- A profile and finishing and routing accessories (profile joint, weatherproof universal junction, flat angle, internal angle, external angle, branch connection, bracket).
- A new solution for installing weatherproof surface mounting wiring devices in domestic, and occasionally commercial, technical environments.
- Optimum safety and reliability due to compliance with standard NFC 68-102 (IP 41, IK 07).




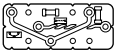
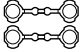
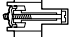
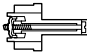
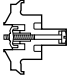



Cat. No.	Designation
694 80	Plexo profile, 2.00 m long Capacity equivalent to an insulating rigid smooth tube, dia. 25 mm.
694 81	Plexo profile bracket
694 82	IP55 weatherproof universal connection
694 83	Plexo profile internal/external angle
694 84	Plexo profile flat angle
694 85	Plexo profile tee
694 86	Plexo universal junction

- Refer to the specific technical sheet for Plexo profile, technical data sheet: F00386EN/00.

Key switch - Emergency cut-off 3 A - 250 V

8. EQUIPMENT AND ACCESSORIES

Designation	Uses	Cat. No.	Colour
Entry gland 1 entry 	Used to provide an aesthetic connection between boxes and cables up to dia. 16 mm inclusive. Diameters: up to 25 mm for entry gland with 1 entry and up to 16 mm for the 2 entry version.	695 96	Grey
Entry gland 2 entries 		696 46	White
Entry gland 2 entries 		695 99	Grey
		696 49	White
Layout template 	Used for fast marking of mounting centre distances of all surface-mounted boxes. Supplied with spirit level	695 97	-
Set of 4 covers 	Used to blank mounting holes at bottom of boxes.	695 98	Grey
Multi-cable glands	(PG) dia. 7 - 14 mm	696 53	-
Standard claw 	Clips on to all 1-gang flush-mounting supports.	849 00	-
Long claw 		849 01	-
IK 08 Claw 	Used to change from IK 07 to IK 08 in flush-mounted sockets and control devices.	696 47	-
Tap-off terminal 	Direct connection after simply stripping rigid conductors Terminal capacity: 0.75 to 2.5 mm	343 22	-