

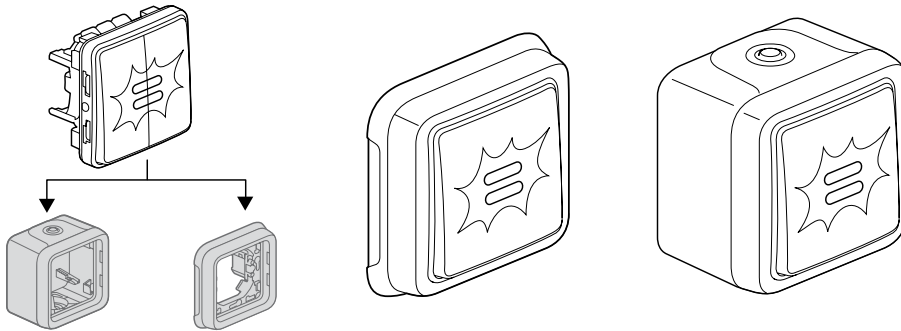
Plexo switches and push-buttons with indicator lights

Cat. Nos: 695 12/13/14/15/19/26/31/32/42/43/44/46
696 12/13/14/15/19/26/32/33/34/36
697 10/12/13/22/23 - 698 21/24/61/64

CONTENTS

Page

1. Technical data	1
2. Range	1
3. Wiring diagrams	1-4
4. Accessories	4



1. TECHNICAL DATA

Lighting control mechanisms with indicator/locator lights.
Products are delivered with lamps fitted.
Connection by automatic terminals.
- Locator green fluorescent lamp
- Indicator orange neon lamp

2. RANGE

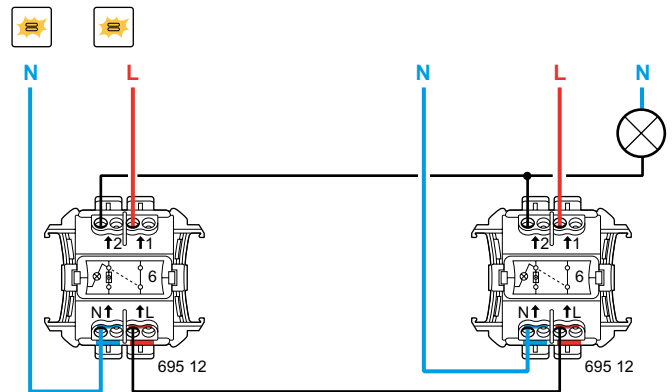
Cat. No	2 versions: grey and white
695 xx 696 xx	Modular mechanisms
697 xx 698 xx	Surface-mounting, supplied complete Flush-mounting, supplied complete

Designation	Catalogue numbers	Characteristics	Locator	
			Indicator	
MODULAR MECHANISMS	695 42 - 696 32	10 A 230 V~		
	695 13/31 - 696 13	10 AX 230 V~		
	695 15 - 696 15	6 AX 230 V~		
	695 12/14/32 - 696 12/14	10 AX 230 V~		
MODULAR MECHANISMS	695 43 - 696 33	12 V		
	695 44 - 696 34	12 V		
MODULAR MECHANISMS	695 26 - 696 26	10 AX 230 V~		
	695 19 - 696 19	10 A - 10 AX 230 V~		
	695 46 - 696 36	10 A 230 V~		
SUPPLIED COMPLETE	697 10/12	10 AX 230 V~		
	697 13	10 AX 230 V~		
	697 22	10 A 230 V~		
	697 23	10 A 230 V~		
	698 21/61	10 A 230 V~		
SUPPLIED COMPLETE	698 24/64	12 V ou 230 V~ (with 230 V lamp)		

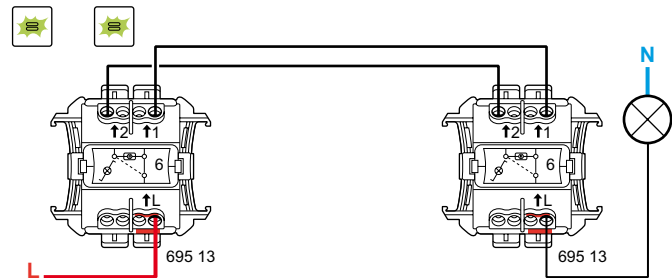
3. WIRING DIAGRAMS

3.1 Switches

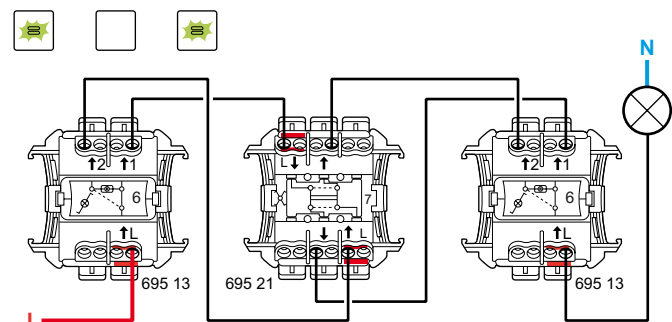
- 695 12 - 696 12 - 697 12: two-way with indicator
- wiring with neutral
- two-way wiring



- 695 13 - 696 13 - 697 13: two-way with locator
- wiring without neutral
- two-way wiring



- wiring with intermediate switch



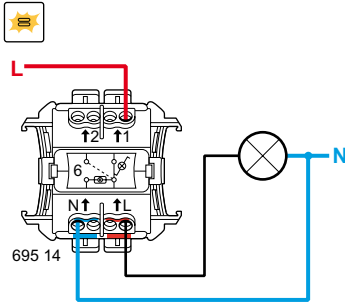
Plexo switches and push-buttons with indicator lights

Cat. Nos: 695 12/13/14/15/19/26/31/32/42/43/44/46
 696 12/13/14/15/19/26/32/33/34/36
 697 10/12/13/22/23 - 698 21/24/61/64

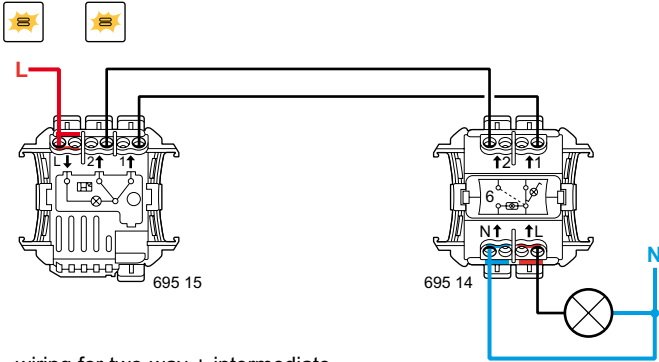
3. WIRING DIAGRAMS (cont'd)

3.1 Switches (cont'd)

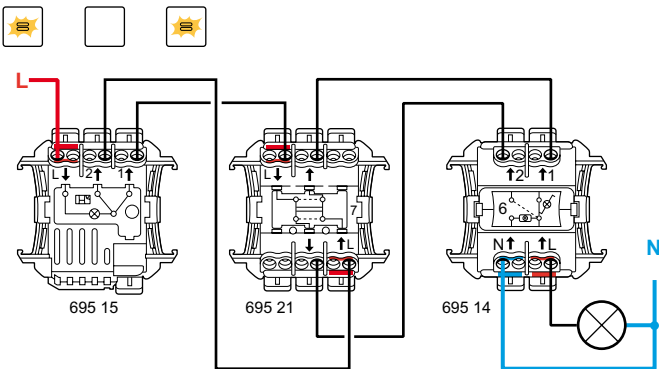
- 695 14 - 696 14 - 697 10: two-way with indicator
- wiring with neutral
- wiring for switch with indicator



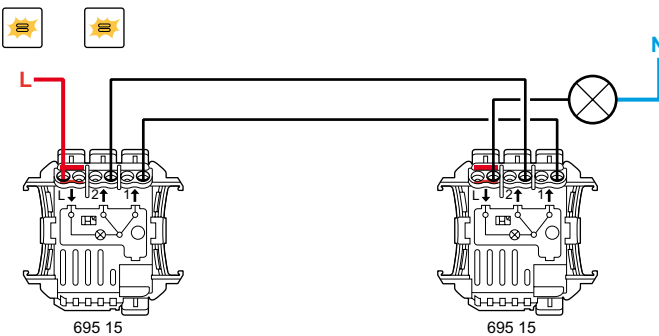
- two-way wiring



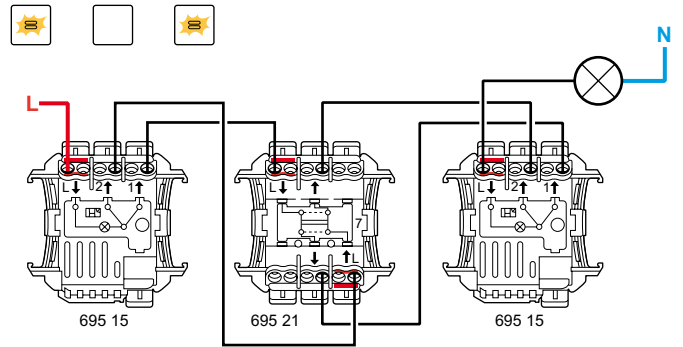
- wiring for two-way + intermediate



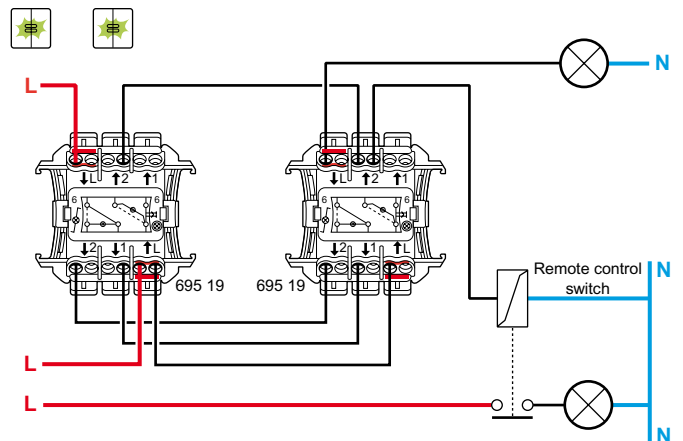
- 695 15 - 696 15: two-way with indicator, no neutral
- wiring without neutral
- two-way wiring



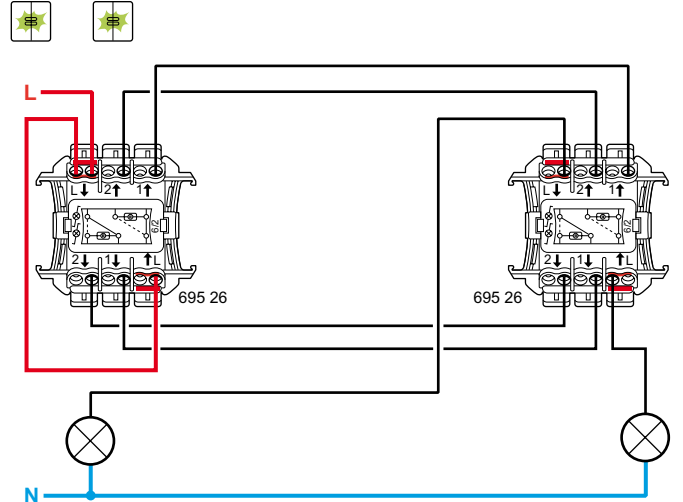
- 695 15 - 696 15: two-way with indicator, no neutral (cont'd)
- wiring for two-way + intermediate



- 695 19 - 696 19: two-way with locator + reversing push-button with locator



- 695 26 - 696 26: double two-way with locator
- wiring without neutral
- two-way wiring



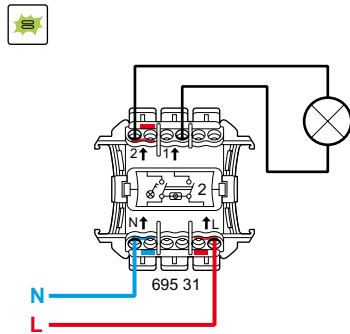
Plexo switches and push-buttons with indicator lights

Cat. Nos: 695 12/13/14/15/19/26/31/32/42/43/44/46
 696 12/13/14/15/19/26/32/33/34/36
 697 10/12/13/22/23 - 698 21/24/61/64

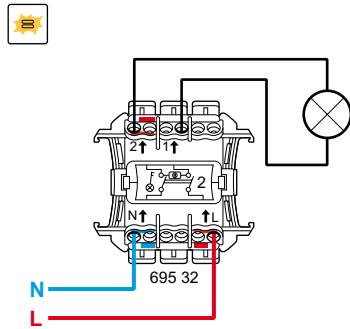
3. WIRING DIAGRAMS (cont'd)

3.1 Switches (cont'd)

- 695 31: double-pole switch with locator
- wiring with neutral

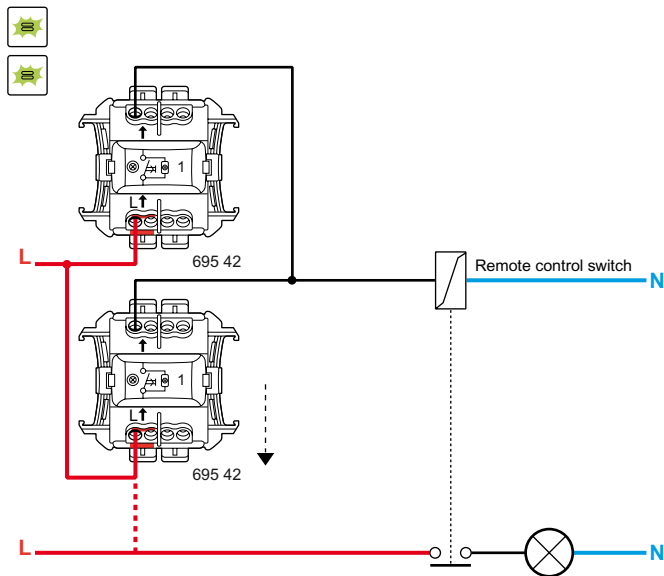


- 695 32: double-pole switch with indicator
- wiring with neutral



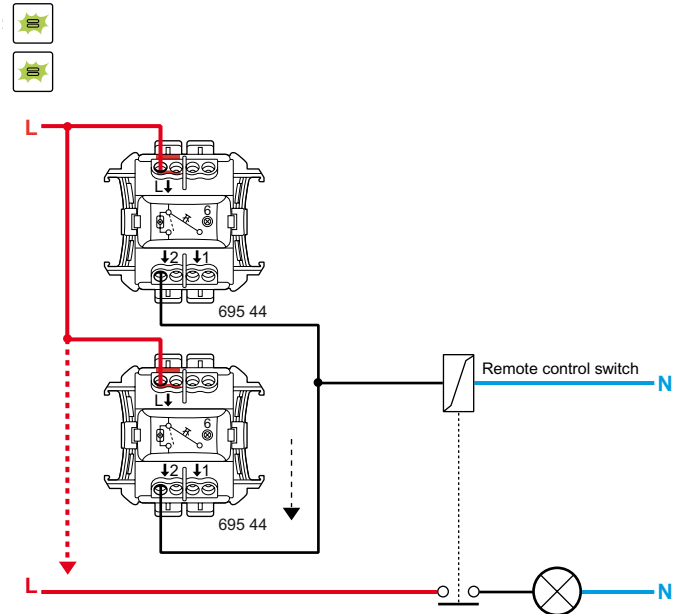
3.2 Push-buttons

- 695 42/43 - 696 32/33 } push-buttons with locator
697 22 } NO contact
- wiring without neutral

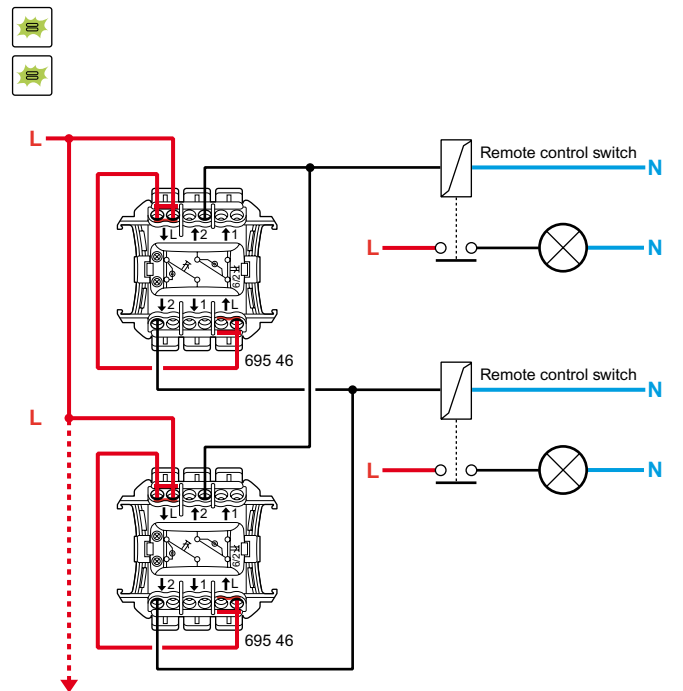


3.2 Push buttons (cont'd)

- 695 44 - 696 34 } changeover push-button with locator
698 21/24/61/64 } NO + NF contact
- wiring without neutral



- 695 46 - 696 36 } double changeover push-button with locator
NO + NF contact
- wiring without neutral



Plexo switches and push-buttons with indicator lights

Cat. Nos: 695 12/13/14/15/19/26/31/32/42/43/44/46

696 12/13/14/15/19/26/32/33/34/36

697 10/12/13/22/23 - 698 21/24/61/64

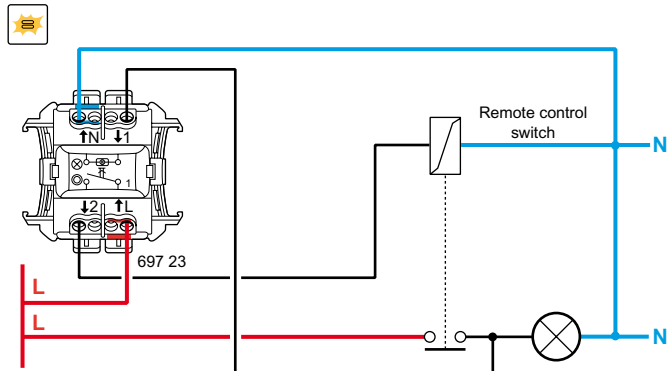
3. WIRING DIAGRAMS (cont'd)

3.2 Pousoirs (cont'd)

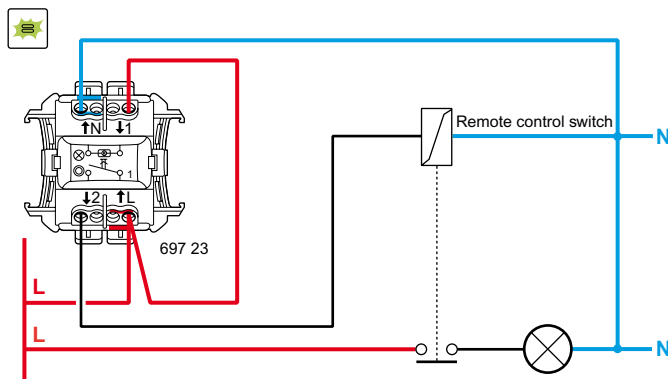
- 697 23: push-button with indicator potential-free contact

- wiring with neutral

- Wiring with indicator light



- Wiring with locator light



4. ACCESSORIES

4.1 Replacement lamps

- for indicator (orange) or locator (green) functions



694 96: 230 V - 1 mA green only for single push-button with locator



694 97: 230 V - 0.5 mA green

694 98: 230 V - 1 mA orange

694 99: 12 V - 15 mA green

694 95: 24 V - 20 mA green